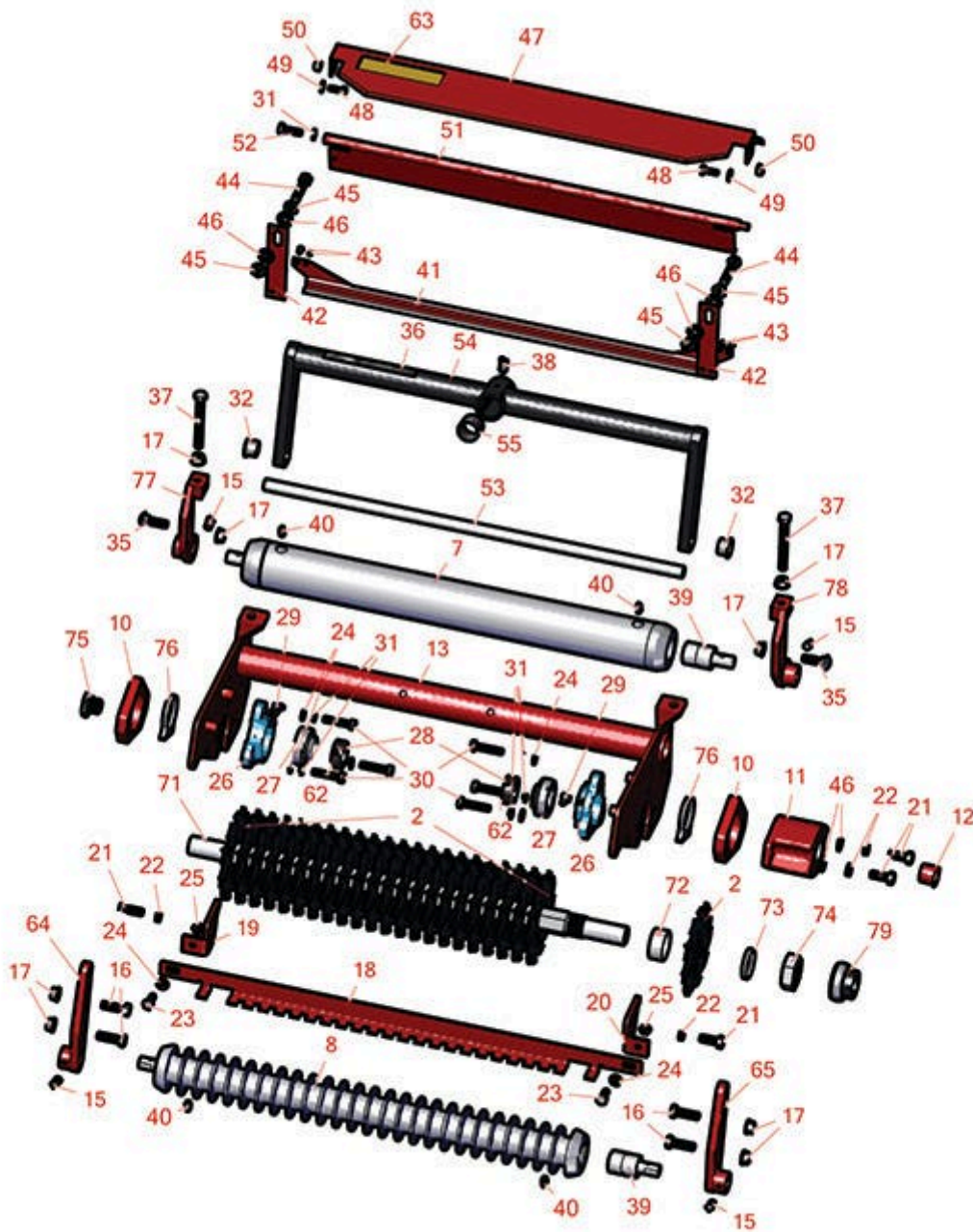




Replaces Toro Reelmaster 5400D Parts

Dethatching Unit - Model 03516

Dethatching Reel & Frame



All original equipment manufacturers names and part numbers are used for identification purposes only, and we are in no way implying that our products are original equipment parts. Prices subject to change without notice.



Replaces Toro Reelmaster 5400D Parts

Dethatching Unit - Model 03516

Dethatching Reel & Frame



Item No	R&R Part No.	OEM Part No.	Description	Qty Req	Order Quantity
---------	--------------	--------------	-------------	---------	----------------

Overhaul Kits

1	R106-6392	106-6392	Verti-Cut Blade Kit - 2mm Carbide Tipped	1	
---	------------------	----------	--	---	--

Detail Description: Includes Carbide Tipped Blades to rebuild 3 dethatching reels: 108 ea: R150209C Vertical Mower Blade:

Verti-Cut Blades

2	R17-1590	17-1590	Verti-Cut Blade	24	
---	-----------------	---------	-----------------	----	--

2	R150109C	106-5422	Verti-Cut Blade - Carbide Tipped 1.2mm	24	
---	-----------------	----------	--	----	--

*Detail Description: STRONG BY DESIGN. Each blade is made with the highest quality hand-picked steel, and laser-cut to our exacting specifications for superior toughness and wear.

TUNGSTEN CARBIDE TIPS. Protect blades from abrasion for extended life and maintain a consistent cutting depth. Optional cutting widths to meet local turf conditions.:*

2	R150209C	106-6355	Verti-Cut Blade - Carbide Tipped 2mm	24	
---	-----------------	----------	--------------------------------------	----	--

*Detail Description: STRONG BY DESIGN. Each blade is made with the highest quality hand-picked steel, and laser-cut to our exacting specifications for superior toughness and wear.

TUNGSTEN CARBIDE TIPS. Protect blades from abrasion for extended life and maintain a consistent cutting depth. Optional cutting widths to meet local turf conditions.:*

R&R Rollers

7	R82-6680	82-6680	Roller - Smooth Tubular Steel	1	
---	-----------------	---------	-------------------------------	---	--

8	R75-1520	75-1520	Roller - Grooved Machined Solid Steel	0	
---	-----------------	---------	---------------------------------------	---	--

Detail Description: Machined from solid steel this heavy weight roller uses greasable "water-pump" style bearings. :

Other Parts Available

10	R82-6810	82-6810, 82-6810-01	Plate - Blade Shaft Bearing	2	
----	-----------------	------------------------	-----------------------------	---	--

11	R10-5080	10-5080, 10-5080-01	End - Cap Reel Brg Housing	1	
----	-----------------	------------------------	----------------------------	---	--

All original equipment manufacturers names and part numbers are used for identification purposes only, and we are in no way implying that our products are original equipment parts. Prices subject to change without notice.



Replaces Toro Reelmaster 5400D Parts

Dethatching Unit - Model 03516

Dethatching Reel & Frame



Item No	R&R Part No.	OEM Part No.	Description	Qty Req	Order Quantity
12	R12-0460	12-0460	Caplug - End Cap	1	
13	R82-6710	82-6710	Frame	1	
15	R3242-2	3242-2	Screw - 5/16-18 x 1/2 Sq HD Set	4	
16	R400264	01-150-0180, 01-178-0610, 20-48-AD, 20-48-AGD, 32-9160, 3224-3, 323-29, 323-7, 400264, 908035P	Bolt - Hex HD 3/8-16 x 1-1/4	4	
17	R3296-39	32127-25, 32128-36, 3290-357, 3296-17, 3296-22, 3296-39, 915663P, 99-7443	Locknut - 3/8-16 Nylon	8	
18	R82-6830	82-6830, 82-6830-01	Bar - Scraper Grooved Roller	1	
19	R82-6870	82-6870, 82-6870-01	Bracket - Scraper RH	1	
20	R82-6880	82-6880, 82-6880-01	Bracket - Scraper LH	1	
21	R323-6	01-150-0010, 01-178-0608, 20-47-AD, 20-47-AGD, 3224-2, 323-6, 49-3510, 908034P, 908332	Bolt - Hex HD 3/8-16 x 1 GR5 YZ	4	

All original equipment manufacturers names and part numbers are used for identification purposes only, and we are in no way implying that our products are original equipment parts. Prices subject to change without notice.



Replaces Toro Reelmaster 5400D Parts

Dethatching Unit - Model 03516

Dethatching Reel & Frame



Item No	R&R Part No.	OEM Part No.	Description	Qty Req	Order Quantity
22	R3253-21	215-51, 30-8470, 3253-21, Jul-12	Washer - Lock 3/8	4	
23	R322-3	01-150-1420, 01-178-0506, 20-24-AD, 20-24-AGD, 322-3, 48-9270, 513339, 908017P	Bolt - Hex HD 5/16-18 x 3/4	2	
24	R310266	3256-23, 3256-3, 3556-3	Washer - Flat 5/16 USS	8	
<i>Tech Note: Use with scraper & O.E.M. bearing housing:</i>					
24	R453009	01-166-0400, 24-10-BD, 24-9-AD, 32-9650, 3256-2, 3256-23, 3256-3, 3256-67, 3290-217, 3556-3, 4-2390, 7-0152	Washer - Flat 5/16 SAE	6	
<i>Tech Note: Use with R&R housings:</i>					
25	R3296-29	1-804256, 3290-357, 3296-29, 915662P	Locknut - 5/16-18 ESNA	2	
26	R76-2460	76-2460	Bearing - Flange	2	
27	R251-337	251-337	Bearing - Ball	2	
28	R3245-35	3245-35	Screw - Set 1/4-28 x 1/4	2	

All original equipment manufacturers names and part numbers are used for identification purposes only, and we are in no way implying that our products are original equipment parts. Prices subject to change without notice.



Replaces Toro Reelmaster 5400D Parts

Dethatching Unit - Model 03516

Dethatching Reel & Frame



Item No	R&R Part No.	OEM Part No.	Description	Qty Req	Order Quantity
29	R700414	302-11, 302-19, 302-4, 32-8170	Zerk - Grease 1/4-28 45 Deg	6	
30	R322-7	01-150-0750, 01-150-0760, 01-178-0512, 20-28-AD, 20-28-AGD, 322-7, 3223-4	Bolt - Hex HD 5/16-18 x 1-1/2	6	
31	R3253-4	01-166-0110, 01-166-0510, 23-10-GD, 24-7170, 30-8520, 3253-4, 48-9350, 48-9360, 48-9570, 68-9420, 99-7577	Washer - Lock 5/16 Zinc	7	
32	R3-1506	256-287, 3-1506, 75-2160, Apr-50	Bushing - Bronze	2	
35	R3231-25	01-173-0610, 30-9970, 3231-25, 3231-3, 900064P	Bolt - Carriage 3/8-16 x 1-1/4	2	
36	R67-7960	27-2890, 62-5070, 67-7960	Decal - Warning	1	
37	R323-49	323-49	Bolt - HOC 3/8-16 x 3 1/2	2	
38	R302-60	302-60	Zerk - Grease 90 Deg.	1	
39	R75-1290	75-1290	Bearing - Roller	4	

All original equipment manufacturers names and part numbers are used for identification purposes only, and we are in no way implying that our products are original equipment parts. Prices subject to change without notice.



Replaces Toro Reelmaster 5400D Parts

Dethatching Unit - Model 03516

Dethatching Reel & Frame



Item No	R&R Part No.	OEM Part No.	Description	Qty Req	Order Quantity
40	R302-5	21-6010, 302-11, 302-37, 302-47, 302-5, 302-57, 302-58, 302-6, 31-0300, 32-9660, 60-0800, 62-3880, 92-4181	Fitting - Grease	4	
41	R82-6740	82-6740	Scraper - Assy	1	
42	R82-6770	82-6770, 82-6770-01	Spring - Scraper	2	
43	R3269-4	3269-3, 3269-4, 3290-409	Rivet - Rear Deflector	4	
44	R323-53	323-53, 57-3210	Bolt - Hex HD 3/8-16 x 1-3/4	2	
45	R3218-3	01-191-0616, 22-13-AJKD, 3218-3, 915236P	Nut - 3/8-16 Jam	4	

All original equipment manufacturers names and part numbers are used for identification purposes only, and we are in no way implying that our products are original equipment parts. Prices subject to change without notice.



Replaces Toro Reelmaster 5400D Parts

Dethatching Unit - Model 03516

Dethatching Reel & Frame



Item No	R&R Part No.	OEM Part No.	Description	Qty Req	Order Quantity
46	R453011	01-166-0100, 01-166-0120, 01-166-0270, 01-166-0500, 01-166-0600, 01-166-0620, 132-4593, 2356-3, 237-12, 24-10-AD, 24-11-AD, 24-11-BD, 24-12-AD, 24-12-BD, 30-9310, 32-8190, 3256-24, 3256-3, 3256-36, 3256-4, 453011, 47-9950, 48-9220, 513458, 7-0052	Washer - Flat 3/8 SAE Y/Zinc	6	
47	R75-1840	75-1840	Shield - Grass	1	
48	R321-4	01-150-1030, 01-178-0406, 20-3-AGD, 321-4, 3222-1	Bolt - Hex HD 1/4-20 x 3/4	2	
49	R3256-22	24-9-BD, 3-1032, 3256-1, 3256-22, 93-0954, 93-0989	Washer - Flat 1/4 Yellow	2	

All original equipment manufacturers names and part numbers are used for identification purposes only, and we are in no way implying that our products are original equipment parts. Prices subject to change without notice.



Replaces Toro Reelmaster 5400D Parts

Dethatching Unit - Model 03516

Dethatching Reel & Frame



Item No	R&R Part No.	OEM Part No.	Description	Qty Req	Order Quantity
50	R301504	2296-42, 301504, 32127-24, 32128-33, 32146-17, 3296-16, 3296-42, 3296-42 , 915661P	Locknut - ESNA 1/4-20	2	
51	R82-6780	82-6780, 82-6780-01	Deflector - Rear	1	
52	R322-5	01-178-0508, 20-26-AD, 20-26-AGD, 30-9000, 322-5, 513341, 519755, 908019P, N/A	Bolt - Hex HD 5/16-18 x 1	1	
53	R75-1710	75-1710	Rod - Support Cutting Unit	1	
54	R82-6540	100-6193, 100-6194, 82-6540, 82-6540-03	Frame - Carrier Cutting Unit	1	
55	R67-1750	67-1750	Bushing - 1 Long	2	
62	R251-77	251-77	Collar - Bearing	2	
63	R93-6688	93-6688	Decal - Warning	1	
64	R82-6510	82-6510, 82-6510-01	Support - Right Hgt of Cut	1	
65	R82-6530	82-6530, 82-6530-01	Support - Left Height of Cut	1	
71	R82-6570	82-6570	Shaft - V-Cut	1	

All original equipment manufacturers names and part numbers are used for identification purposes only, and we are in no way implying that our products are original equipment parts. Prices subject to change without notice.



Replaces Toro Reelmaster 5400D Parts

Dethatching Unit - Model 03516

Dethatching Reel & Frame



Item No	R&R Part No.	OEM Part No.	Description	Qty Req	Order Quantity
72	R82-6600	82-6600, 94-5889	Spacer - V-Cut	23	
73	R17-1600	17-1600	Spacer - V-Cut Reel 1/4	2	
74	R3220-18	3220-18, 67-5840	Nut - Jam V-Cut Shaft	1	
75	R77-0340	77-0340	Nut - Splined Reel	1	
75	R93-1394	93-1394	Nut - Splined RH Thrd .812 Long	1	
76	R82-6820	82-6820	Spacer - Bearing	2	
77	R82-6630	82-6630, 82-6630-01	Bracket - RH Height of Cut	1	
78	R82-6650	82-6650, 82-6650-01	Bracket - LH Height of Cut	1	
79	R71-1360	251-219, 251-253, 251-254, 251-320, 71-1360, 88-7880, 94-3405	Bearing	2	

All original equipment manufacturers names and part numbers are used for identification purposes only, and we are in no way implying that our products are original equipment parts. Prices subject to change without notice.