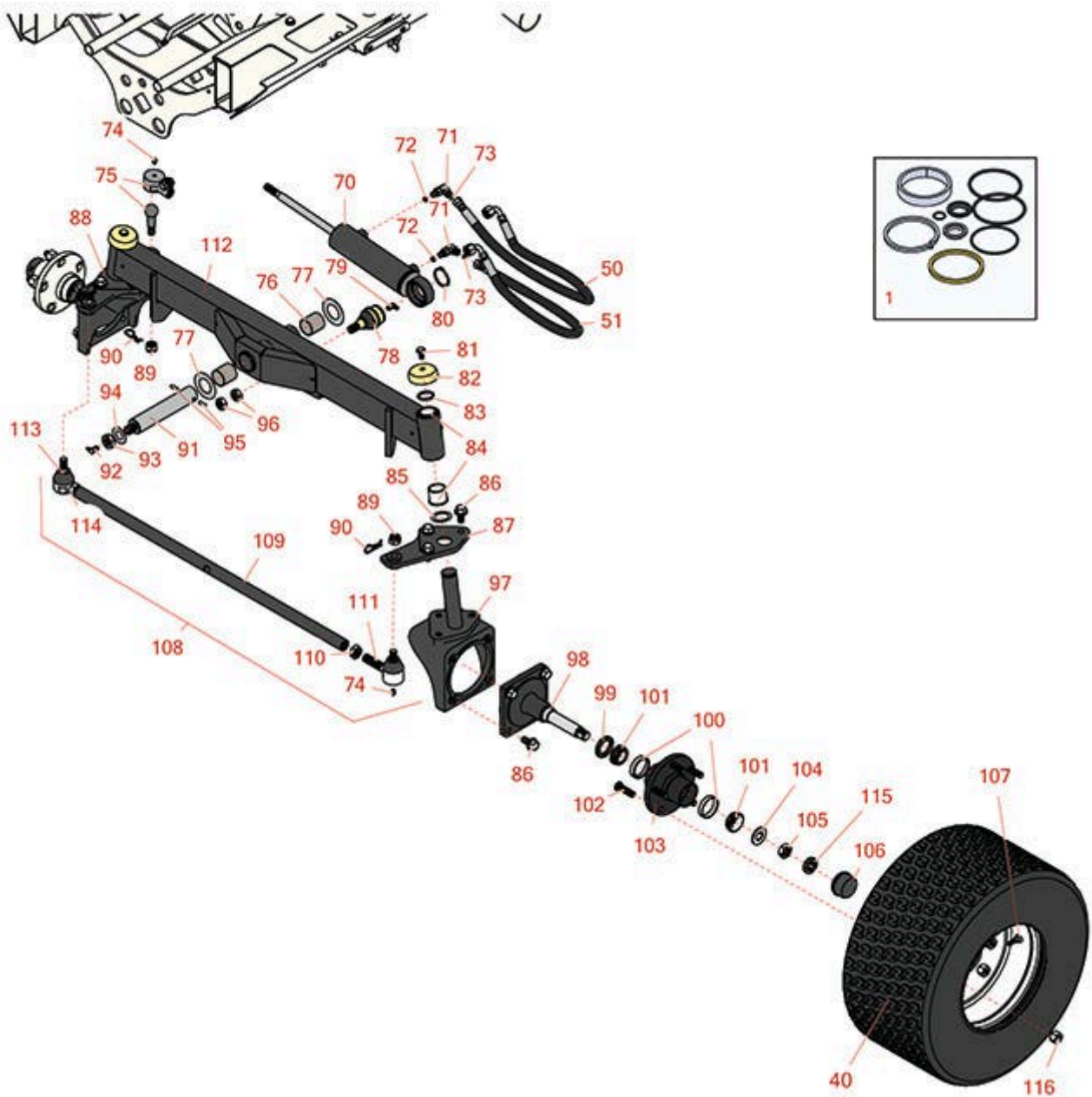




# Replaces Toro Reelmaster 5410G Parts

Traction Unit - Models 03608 & 03673

Rear Axle



All original equipment manufacturers names and part numbers are used for identification purposes only, and we are in no way implying that our products are original equipment parts. Prices subject to change without notice.



# Replaces Toro Reelmaster 5410G Parts

Traction Unit - Models 03608 & 03673

Rear Axle



Item No	R&R Part No.	OEM Part No.	Description	Qty Req	Order Quantity
<b>Overhaul Kits and Service Tools</b>					
1	<b>R110-6461</b>	110-6461	Seal Kit -Fits R107-4458 Cylinder	1	
<b>Tires</b>					
40	<b>RCT575315</b>	117-5125	Tire - 20x12.00-10 Nhs (4 Ply) Carlisle Turf Trac R/S	2	
40	<b>RCT511257</b>		Tire - 20x12.00-10 Nhs (4 Ply) Carlisle Turf Master	2	
<b>Hoses</b>					
50	<b>R110-0973</b>	110-0973	Hose Asy	1	
51	<b>R110-0928</b>	110-0928	Hydraulic Hose Assy	1	
<b>Other Parts Available</b>					
70	<b>R107-4458</b>	107-4458, 110-9035	Hydraulic Cylinder	1	
71	<b>R340-132</b>	340-132	Hydraulic Fitting - 90 Deg	2	
72	<b>R237-22</b>	107-8844, 237-22, 237-78	O-Ring	2	
73	<b>R237-21</b>	237-21, 327-21	O-Ring	2	
74	<b>R302-5</b>	21-6010, 302-11, 302-37, 302-47, 302-5, 302-57, 302-58, 302-6, 31-0300, 32-9660, 60-0800, 62-3880, 92-4181	Fitting - Grease	5	

All original equipment manufacturers names and part numbers are used for identification purposes only, and we are in no way implying that our products are original equipment parts. Prices subject to change without notice.



# Replaces Toro Reelmaster 5410G Parts

*Traction Unit - Models 03608 & 03673*

*Rear Axle*



Item No	R&R Part No.	OEM Part No.	Description	Qty Req	Order Quantity
75	<b>R106-6895-03</b>	106-6895-03, 69-9810, 69-9810-03	Ball Joint Assy	1	
76	<b>R99-6964</b>	99-6964	Bushing - Axle	2	
77	<b>R99-8432</b>	99-8432	Washer - Thrust	2	
78	<b>R106-6774</b>	106-6774, 92-5838, 92-5838-01	Ball Joint	1	
79	<b>R302-40</b>	302-13, 302-40	Fitting - Grease	1	
80	<b>R32151-104</b>	32151-104	Ring - Retaining, Ex	1	
81	<b>R3234-1</b>	321-11, 3234-1	Bolt - Flanged Serrated Hex HD 3/8-16 x 3/4	2	
82	<b>R69-8890</b>	69-8890	Cap-Spindle	2	
83	<b>R32151-77</b>	32151-77	Ring - Retaining	2	
84	<b>R104-0015</b>	104-0015, 104-8339	Bushing - Flanged	4	
85	<b>R76-2980</b>	76-2980	Washer - Thrust	2	
86	<b>R3234-6</b>	32144-13, 3234-6, 3434-6	Bolt - Hex HD Flanged	14	
87	<b>R110-5297-03</b>	110-5297-03	Link - Drag LH	1	
88	<b>R110-5295-03</b>	110-5295-03	Link - Drag - RH	1	
89	<b>R105-7941</b>	105-7941	Nut - Hex - Slotted	3	
90	<b>R3272-12</b>	01-151-0090, 28-19-D, 3272-12	Pin - Cotter 1/8 x 1-1/4	5	

All original equipment manufacturers names and part numbers are used for identification purposes only, and we are in no way implying that our products are original equipment parts. Prices subject to change without notice.



# Replaces Toro Reelmaster 5410G Parts

*Traction Unit - Models 03608 & 03673*

*Rear Axle*



Item No	R&R Part No.	OEM Part No.	Description	Qty Req	Order Quantity
91	<b>R140-6101</b>	140-6101, 98-8173, 98-8173-03	Pivot Pin - Rear Lift Arm	1	
92	<b>R323016</b>	302-33, 323016	Zerk - Grease	1	
93	<b>R444742</b>	32146-20, 9150906, 915090P	Nut - 3/4-16 Gripco Centerlock	1	
94	<b>R71-4540</b>	71-4540	Washer - Thrust	1	
95	<b>R32121-32</b>	01-153-0180, 32121-32	Pin - Roll 1/4 x 1-3/4	1	
96	<b>R443828</b>	01-191-1018, 3214, 3220-6, 443828, 915089P	Nut - 5/8-18 Hex	2	
97	<b>R107-4517-03</b>	107-4517-03	Housing - Motor	2	
98	<b>R117-8958</b>	117-8958	Spindle	2	
99	<b>R112-1690</b>	112-1690	Seal - Hub	2	
100	<b>R254-72</b>	01-103-0050, 01-103-0120, 01-103-0140, 1-543508, 254-71, 254-72, 40439, 62-3340, 99-4511	Cup - Bearing	4	
101	<b>R254-94</b>	1-543509, 254-94, 32-8090, 32-8240, 32-9640, 40440, 62-3330	Tapered Bearing Cone	4	

All original equipment manufacturers names and part numbers are used for identification purposes only, and we are in no way implying that our products are original equipment parts. Prices subject to change without notice.



# Replaces Toro Reelmaster 5410G Parts

*Traction Unit - Models 03608 & 03673*

*Rear Axle*



Item No	R&R Part No.	OEM Part No.	Description	Qty Req	Order Quantity
102	<b>R114-3918</b>	1-633926, 114-3918	Stud - Wheel	10	
103	<b>R121-5631</b>	121-5621, 121-5631	Hub Assy	2	
104	<b>R117-8259</b>	117-8259	Washer-Spindle	2	
105	<b>R117-3290</b>	117-3290	Nut - Hex	2	
106	<b>R241-119</b>	01-269-0070, 01-269-0280, 01-286-0040, 241-119, 30-9930, 40438	Cap-Dust	2	
107	<b>R232-27</b>	232-27, 232-31	Stem - Valve w/ Cap	2	
108	<b>R110-5334-03</b>	110-5334-03	Tie Rod Assy	1	
109	<b>R110-5335</b>	110-5335	Tie Rod	1	
110	<b>R110-5337</b>	110-5337	Nut - Jam 11/16-18 LH	2	
111	<b>R2411-46</b>	2411-40, 2411-46, 2411-46-03	End - Tie Rod - LH	2	
112	<b>R107-4546-03</b>	107-4546-03	Axle Assy	1	
113	<b>R71-4740-03</b>	2411-45, 71-4740, 71-4740-03	End - Tie Rod - RH	1	
114	<b>R84-5300</b>	84-5300	Nut - Jam 11/16-18 RH	1	
115	<b>R93-0307</b>	93-0307	Nut - Lock Retainer	2	
116	<b>R242-50</b>	242-50	Nut - 1/2-20 Wheel	10	

All original equipment manufacturers names and part numbers are used for identification purposes only, and we are in no way implying that our products are original equipment parts. Prices subject to change without notice.