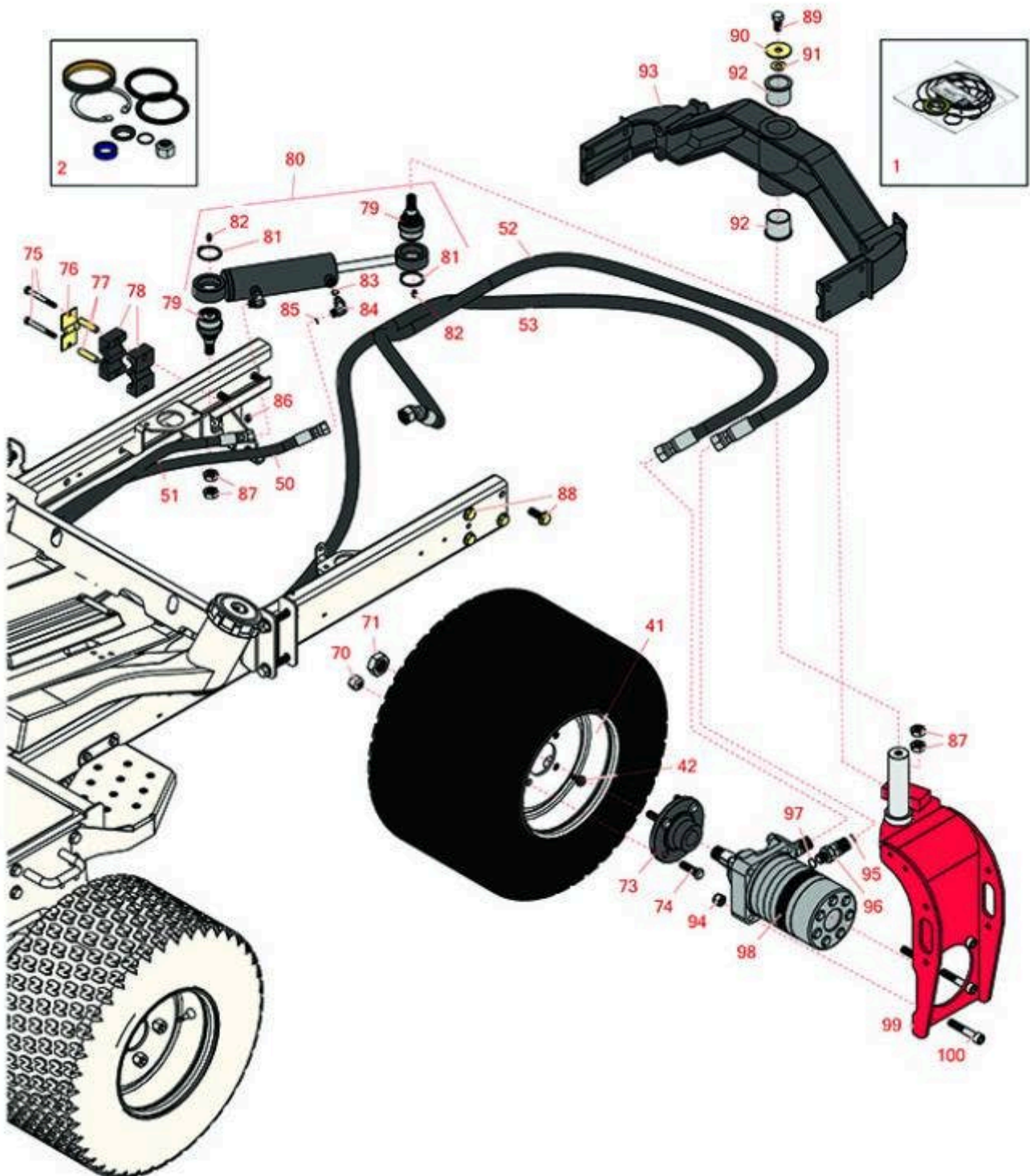




Replaces Toro Reelmaster 3100-D Parts

Traction Unit - Model 03207

Rear Wheel



All original equipment manufacturers names and part numbers are used for identification purposes only, and we are in no way implying that our products are original equipment parts. Prices subject to change without notice.



Replaces Toro Reelmaster 3100-D Parts

Traction Unit - Model 03207

Rear Wheel



Item No	R&R Part No.	OEM Part No.	Description	Qty Req	Order Quantity
Overhaul Kits					
1	R76-0800	100-6131, 76-0800, 94-8178	Seal Kit - Hyd Wheel Motor	1	
2	R86-5390	72-9680, 74-3590, 83-7240, 86-5390	Seal Kit - Hyd Cyl	1	
41	R117-5129	117-5129	Wheel - 10 x 7	2	
42	R232-27	232-27, 232-31	Stem - Valve w/ Cap	2	
Hoses					
50	R95-8845	95-8845	Hydraulic Hose Assy	1	
51	R95-8844	95-8844	Hydraulic Hose Assy	1	
52	R105-1222	105-1222	Hydraulic Hose Assy	1	
53	R105-1221	105-1221	Hydraulic Hose Assy	1	
Other Parts Available					
70	R242-50	242-50	Nut - 1/2-20 Wheel	8	
71	R26-3790	26-3790	Nut - Hex - Wheel Motor 1-20	2	
73	R10-6870-03	10-6870, 10-6870-03, Oct-70	Hub - Wheel	2	
74	R10-6830	10-6830, 75-9440	Stud - Wheel 1/2-20 x 1 3/4	8	
75	R322-13	01-150-1680, 01-178-0522, 322-13, 3223-9	Screw - Hxx HD	2	

All original equipment manufacturers names and part numbers are used for identification purposes only, and we are in no way implying that our products are original equipment parts. Prices subject to change without notice.



Replaces Toro Reelmaster 3100-D Parts

Traction Unit - Model 03207

Rear Wheel



Item No	R&R Part No.	OEM Part No.	Description	Qty Req	Order Quantity
76	R93-7961	93-7961	Clamp - Case Drain	1	
77	R93-7960	93-7960	Spacer	2	
78	R82-8170	82-8170	Clamp	2	
79	R106-6774	106-6774, 92-5838, 92-5838-01	Ball Joint	2	
80	R94-8141	94-8141	Hydraulic Cylinder	1	
81	R32151-104	32151-104	Ring - Retaining, Ex	2	
82	R302-5	21-6010, 302-11, 302-37, 302-47, 302-5, 302-57, 302-58, 302-6, 31-0300, 32-9660, 60-0800, 62-3880, 92-4181	Fitting - Grease	3	
83	R237-22	107-8844, 237-22, 237-78	O-Ring	2	
84	R340-132	340-132	Hydraulic Fitting - 90 Deg	2	
85	R237-21	237-21, 327-21	O-Ring	2	
86	R3296-29	1-804256, 3290-357, 3296-29, 915662P	Locknut - 5/16-18 ESNA	4	

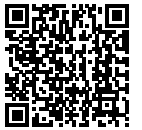
All original equipment manufacturers names and part numbers are used for identification purposes only, and we are in no way implying that our products are original equipment parts. Prices subject to change without notice.



Replaces Toro Reelmaster 3100-D Parts

Traction Unit - Model 03207

Rear Wheel



Item No	R&R Part No.	OEM Part No.	Description	Qty Req	Order Quantity
87	R443828	01-191-1018, 3214, 3220-6, 443828, 915089P	Nut - 5/8-18 Hex	4	
88	R3234-38	3234-38	Bolt - Flanged Hex 1/2-13 x 1-1/4	8	
89	R325-3	325-3	Screw Hex HD	1	
90	R75-7730	75-7730	Washer - Thrust	1	
91	R3255-2	3255-2	Washer - Lock - Ext	1	
92	R95-8805	95-8805	Bushing - Flanged 1 1/2 in ID	2	
93	R107-7828	107-7828, 107-7828-03, 18-3979-03	Rear Frame Casting Assy	1	
94	RF5003	32127-29, 32131-5, 32132-5, 3296-23	Locknut - ESNA 1/2-13	4	
95	R237-65	237-65, 237.65	O-Ring	2	
96	R340-14	340-14, 96-0861	Hydraulic Fitting - 45 Deg	2	
97	R237-80	237-80, 327-80	O-Ring	2	
98	R95-8694	95-8694	Hydraulic Motor Assy - Rear	1	
99	R95-8905-01	95-8905, 95-8905-01	Fork-Rear	1	
100	R3274-93	3274-74, 3274-93	Bolt - Soc HD Cap	4	

All original equipment manufacturers names and part numbers are used for identification purposes only, and we are in no way implying that our products are original equipment parts. Prices subject to change without notice.