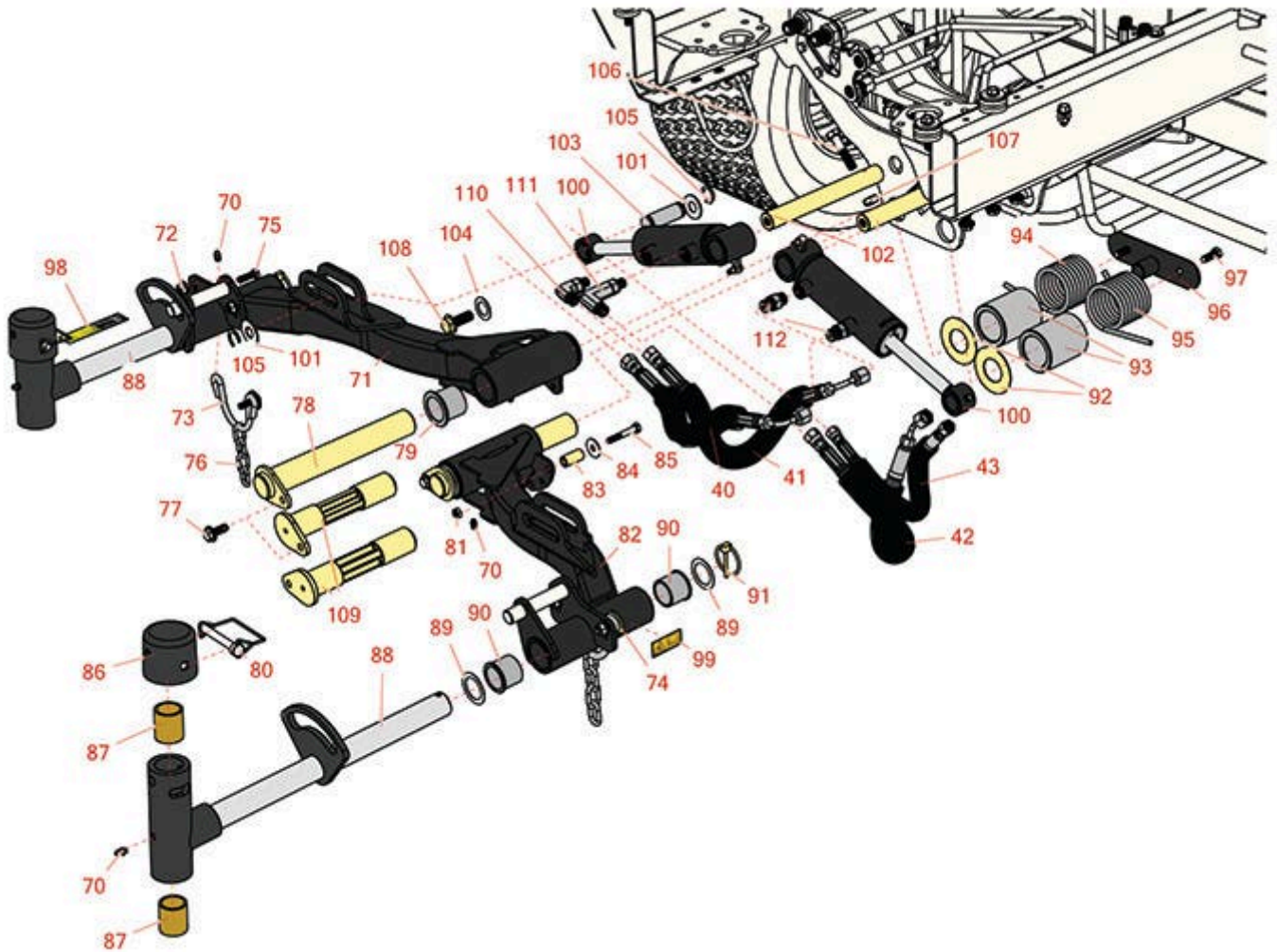




# Replaces Toro Reelmaster 5410G Parts

*Traction Unit - Models 03608 & 03673*

*Rear Lift Arm*



All original equipment manufacturers names and part numbers are used for identification purposes only, and we are in no way implying that our products are original equipment parts. Prices subject to change without notice.



# Replaces Toro Reelmaster 5410G Parts

Traction Unit - Models 03608 & 03673

Rear Lift Arm



Item No	R&R Part No.	OEM Part No.	Description	Qty Req	Order Quantity
<b>Hoses</b>					
40	<b>R110-0930</b>	110-0930, 110-2930	Hydraulic Hose Assy	1	
41	<b>R110-0929</b>	110-0929	Hydraulic Hose Assy	1	
42	<b>R110-8966</b>	110-8966	Hydraulic Hose Assy	1	
43	<b>R110-0931</b>	110-0931	Hydraulic Hose Assy	1	
<b>Other Parts Available</b>					
70	<b>R302-5</b>	21-6010, 302-11, 302-37, 302-47, 302-5, 302-57, 302-58, 302-6, 31-0300, 32-9660, 60-0800, 62-3880, 92-4181	Fitting - Grease	4	
71	<b>R110-0993</b>	110-0993	Lift Arm - No. 3	1	
72	<b>R104-8301</b>	104-8301, 104-9301, 109-6658, 133-7570	Locknut - 3/8-16 Nylon Flanged	4	
73	<b>R110-0922</b>	110-0922	Hoop - Chain	2	
74	<b>R63-8410</b>	53-6380, 63-4810, 63-8410	Washer - Isolator Bushing	4	

All original equipment manufacturers names and part numbers are used for identification purposes only, and we are in no way implying that our products are original equipment parts. Prices subject to change without notice.



# Replaces Toro Reelmaster 5410G Parts

Traction Unit - Models 03608 & 03673

Rear Lift Arm



Item No	R&R Part No.	OEM Part No.	Description	Qty Req	Order Quantity
75	<b>R400264</b>	01-150-0180, 01-178-0610, 20-48-AD, 20-48-AGD, 32-9160, 3224-3, 323-29, 323-7, 400264, 908035P	Bolt - Hex HD 3/8-16 x 1-1/4	4	
76	<b>R84-2450</b>	84-2450	Chain - Straight 4	2	
<i>Tech Note: Ftis 5210-5410:</i>					
77	<b>R32144-14</b>	32104-32, 32104-49, 32144-14	Bolt - Hex Washer 5/16-18 x 5/8	2	
78	<b>R107-2062</b>	107-2062	Pin Assy	2	
79	<b>R69-6470</b>	69-6470	Bushing - Flanged	4	
80	<b>R107-7400</b>	107-7400	Pin - Lynch	2	
81	<b>R3296-29</b>	1-804256, 3290-357, 3296-29, 915662P	Locknut - 5/16-18 ESNA	2	
82	<b>R110-0992</b>	110-0992	Lift Arm - No. 2	1	
83	<b>R103-0384</b>	103-0384	Spacer	2	
84	<b>R3256-35</b>	3256-35	Washer - Flat	2	
85	<b>R322-10</b>	20-30-AD, 24-7180, 322-10, 322-10, 3223-6, 513347	Bolt - Hex HD 5/16-18 x 2	2	
86	<b>R107-4027</b>	107-4027	Cap - Pivot Yoke	2	

All original equipment manufacturers names and part numbers are used for identification purposes only, and we are in no way implying that our products are original equipment parts. Prices subject to change without notice.



# Replaces Toro Reelmaster 5410G Parts

*Traction Unit - Models 03608 & 03673*

*Rear Lift Arm*



Item No	R&R Part No.	OEM Part No.	Description	Qty Req	Order Quantity
87	<b>R256-254</b>	256-254	Bushing 1-1/8 x 1.375 x 1.5	4	
88	<b>R107-2052</b>	107-2052, 138-1248	Pivot Yoke Assy	2	
89	<b>R76-2980</b>	76-2980	Washer - Thrust	4	
90	<b>R104-0015</b>	104-0015, 104-8339	Bushing - Flanged	4	
91	<b>R92-1298</b>	92-1298	Pin - Klik	2	
92	<b>R110-5345</b>	110-5345	Washer	2	
93	<b>R110-5339</b>	110-5339	Spacer	2	
94	<b>R99-5608-03</b>	99-5608, 99-5608-03	Spring-Torsion, RH	1	
95	<b>R99-5609-03</b>	99-5609, 99-5609-03	Spring-Torsion, LH	1	
96	<b>R110-8874-03</b>	110-8874-03	Catch Assy	1	
97	<b>R3234-11</b>	3234-11	Bolt - Hex Washer HD	2	
98	<b>R110-9642</b>	110-9642	Decal	2	
99	<b>R93-6696</b>	93-6696	Decal - Warning	2	
100	<b>R119-6988</b>	119-6988	Hydraulic Cylinder	2	
101	<b>R453017</b>	01-166-0050, 01-166-0240, 01-166-0800, 24-13-AD, 24-14-AD, 32-8110, 3256-26, 3256-6, 453017, 69-8980, 87-7270	Washer - Flat 1/2	2	

All original equipment manufacturers names and part numbers are used for identification purposes only, and we are in no way implying that our products are original equipment parts. Prices subject to change without notice.



# Replaces Toro Reelmaster 5410G Parts

*Traction Unit - Models 03608 & 03673*

*Rear Lift Arm*



Item No	R&R Part No.	OEM Part No.	Description	Qty Req	Order Quantity
102	<b>R117-0148</b>	117-0148	Pin - Hyd Cyl	2	
103	<b>R104-0046</b>	104-0046	Pin - Slide - Cylinder	2	
104	<b>R3-6498</b>	3--6498, 3-6498, 47-8270	Washer - Thrust	4	
105	<b>R32120-93</b>	32120-93	Snap Ring - HD	4	
106	<b>R323-9</b>	01-150-0190, 01-150-1540, 01-178-0614, 107229, 20-50-AD, 20-50-AGD, 30-9430, 32105-4, 3224-5, 323-9, 513363, 513364, 5377, 908037P	Bolt - Hex HD 3/8-16 x 1-3/4	2	
107	<b>R3296-59</b>	3296-59	Locknut - 3/8-16 Nylon Jam	2	
108	<b>R3234-38</b>	3234-38	Bolt - Flanged Hex 1/2-13 x 1-1/4	2	
109	<b>R125-2037</b>	125-2037	Shaft	2	
110	<b>R340-132</b>	340-132	Hydraulic Fitting - 90 Deg	1	
111	<b>R100-7695</b>	100-7695	Adapter-Hyd	1	
112	<b>R340-92</b>	340-92	Hydraulic Fitting - Striaight	2	

All original equipment manufacturers names and part numbers are used for identification purposes only, and we are in no way implying that our products are original equipment parts. Prices subject to change without notice.