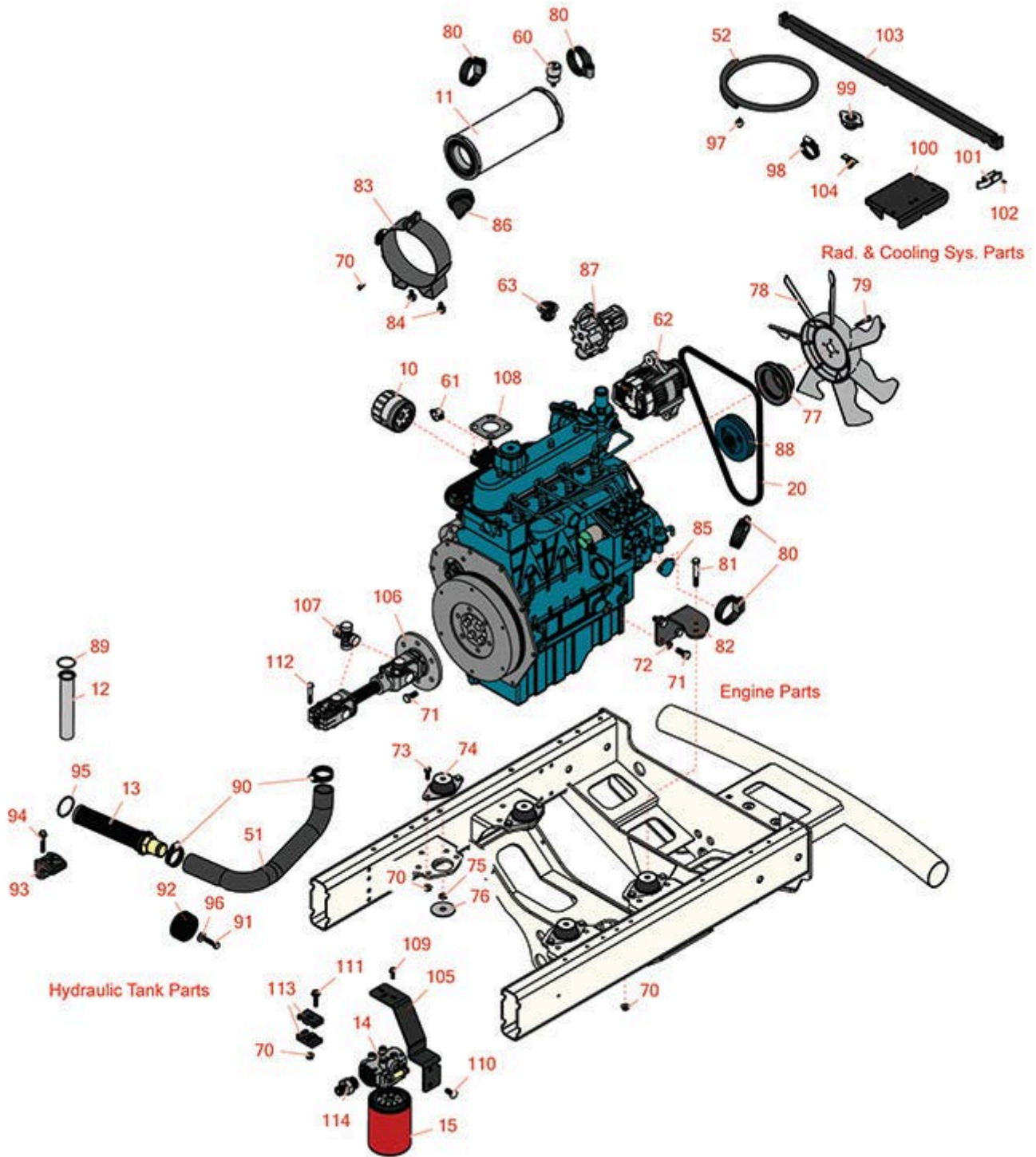




# Replaces Toro Reelmaster 5410G Parts

Traction Unit - Models 03608 & 03673

Engine Mounting, Intake & Exhaust



All original equipment manufacturers names and part numbers are used for identification purposes only, and we are in no way implying that our products are original equipment parts. Prices subject to change without notice.



# Replaces Toro Reelmaster 5410G Parts

Traction Unit - Models 03608 & 03673

Engine Mounting, Intake & Exhaust



Item No	R&R Part No.	OEM Part No.	Description	Qty Req	Order Quantity
<b>Filters</b>					
10	<b>R42-9030</b>	104-5167, 108-3841, 127-0511, 42-9030, 67-4330, 98-9651	Baldwin Oil Filter - Engine	1	
10	<b>RRF10606</b>	108-3841, 67-4330, 98-9651	SilverGuard Oil Filter - 2 3/4" Long	1	
10	<b>R125-7025</b>	125-7025	Baldwin Oil Filter	1	
11	<b>R5000919</b>	108-3810, 1083810, 98-9763, 989763	Baldwin Air Filter Element	1	
11	<b>RRF10143</b>	108-3810, 1083810, 98-9763, 989763	SilverGuard Air Filter Element	1	
12	<b>R61-2790</b>	61-2790	Screen - Filler - Hyd Oil	1	
13	<b>R105-0131</b>	105-0131	Strainer-Tank - Oil	1	
14	<b>R104-0080</b>	104-0080	Filter Head Assy w/Filter	1	
15	<b>R86-3010</b>	23-9740, 239470, 28-1370, 281370, 353-387, 353387, 54-0110, 540110, 76-6490, 86-3010, 863010, Dec-70	Baldwin Hydraulic Oil Filter	1	

## Belts

All original equipment manufacturers names and part numbers are used for identification purposes only, and we are in no way implying that our products are original equipment parts. Prices subject to change without notice.



# Replaces Toro Reelmaster 5410G Parts

Traction Unit - Models 03608 & 03673

Engine Mounting, Intake & Exhaust



Item No	R&R Part No.	OEM Part No.	Description	Qty Req	Order Quantity
20	<b>RX1628297010</b>	127-0426, 98-9676	Kubota V-Belt	1	
<b>Hoses</b>					
51	<b>R108-1685</b>	108-1685	Hose - Formed	1	
52	<b>R110-3257</b>	110-3257, 63-7630	Hose-Fuel	1	
<b>Gauges and Controls</b>					
60	<b>R93-9164</b>	93-9164	Indicator - Service - Air Filter	1	
61	<b>RX1545139012</b>	98-91416, 98-9416	Kubota Sensor - Oil Pressure	1	
62	<b>R121-3811</b>	121-3811	Alternator Assy	1	
63	<b>RX1943473014</b>	105-2881, 98-7438, 98-7778, 98-9715	Kubota Thermostat Assy	1	
<b>Other Parts Available</b>					
70	<b>R104-8300</b>	104-8300, 104-8300 , 119-4041	Locknut - 5/16-18 Flanged Y/Zinc	18	
71	<b>R43-0090</b>	43-0090, 95-8812	Bolt - 10mm x 1.25 x 25 Hex HD	13	
72	<b>R48-9590</b>	01-176-0040, 42-9600, 48-9590, 48-9690, 63-7780	Washer - Lock 10mm	13	
73	<b>R322-4</b>	322-4, 3290-115, 908018P	Bolt - Hex HD 5/16-18 x 7/8	8	

All original equipment manufacturers names and part numbers are used for identification purposes only, and we are in no way implying that our products are original equipment parts. Prices subject to change without notice.



# Replaces Toro Reelmaster 5410G Parts

Traction Unit - Models 03608 & 03673

Engine Mounting, Intake & Exhaust



Item No	R&R Part No.	OEM Part No.	Description	Qty Req	Order Quantity
74	<b>R83-1030</b>	108-6879, 121-9076, 83-1030, 83-1031	Mount - Engine	4	
<i>Tech Note: 2006-2008:</i>					
74	<b>R120-6274</b>	120-6274	Mount - Motor - 215 lb Rating	4	
75	<b>R83-1050</b>	83-1050	Spacer	4	
76	<b>R87-5100</b>	87-5100	Washer - Snubbing	4	
77	<b>RX1624174250</b>	110-0972, 98-9584, 99-3453	Kubota Pulley - Fan	1	
78	<b>RX1587674152</b>		Kubota Spacer - Fan 10mm	1	
78	<b>RX1629274110</b>		Kubota Fan	1	
79	<b>RX0175450620</b>	108-2873, 33113-025, 43-2600, 48-7640, 99-8363	Kubota Bolt - Flange	4	
80	<b>R2412-130</b>	2412-130, 2412-92	Clamp - Hose 1 5/16-2 1/2	4	
81	<b>R101526</b>	01-150-0970, 01-178-0620, 101526, 20-53-AGD, 321-11, 3224-8, 323-11, 323-12, 323-31, 323-4, 323-47	Bolt - Hex HD 3/8-16 x 2-1/2 GR5	4	
82	<b>R107-4496-03</b>	107-4496-03, 115-8066-03	Bracket - Engine Mounting	4	

All original equipment manufacturers names and part numbers are used for identification purposes only, and we are in no way implying that our products are original equipment parts. Prices subject to change without notice.



# Replaces Toro Reelmaster 5410G Parts

Traction Unit - Models 03608 & 03673

Engine Mounting, Intake & Exhaust



Item No	R&R Part No.	OEM Part No.	Description	Qty Req	Order Quantity
<i>Tech Note: 2006-2008:</i>					
83	<b>R100-4825</b>	100-4825	Band-Mounting,-Air Filter	1	
84	<b>R3234-14</b>	3234-14, 3234-23	Bolt - Hex Serrated Washer HD	2	
85	<b>R99-3514</b>	99-3514	Cover	1	
86	<b>R87-9400</b>	87-9400	Valve - Vacuator	1	
87	<b>R107-9089</b>	104-4885, 107-9089, 108-4426	Water Pump Assy	1	
88	<b>RX1624974280</b>	105-3745, X1624974280	Kubota Fan Drive Pulley	1	
89	<b>R237-101</b>	237-101	O-Ring	1	
90	<b>R2412-111</b>	2412-111	Clamp - Hose - Worm	3	
91	<b>R400190</b>	01-150-0720, 01-178-0510, 30-8680, 322-6, 513343	Bolt - Hex HD 5/16-18 x 1-1/4 GR5	1	
92	<b>R108-1605</b>	108-1605	Bumper-Recess	1	
93	<b>R107-4543</b>	107-4543	Clamp	2	
94	<b>R94-5780</b>	94-5780	Bolt - 5/16-18 x 1 3/4 Hx Fl	2	
95	<b>R340-136</b>	340-136	O-Ring	1	

All original equipment manufacturers names and part numbers are used for identification purposes only, and we are in no way implying that our products are original equipment parts. Prices subject to change without notice.



# Replaces Toro Reelmaster 5410G Parts

*Traction Unit - Models 03608 & 03673*

*Engine Mounting, Intake & Exhaust*



Item No	R&R Part No.	OEM Part No.	Description	Qty Req	Order Quantity
96	<b>R453011</b>	01-166-0100, 01-166-0120, 01-166-0270, 01-166-0500, 01-166-0600, 01-166-0620, 132-4593, 2356-3, 237-12, 24-10-AD, 24-11-AD, 24-11-BD, 24-12-AD, 24-12-BD, 30-9310, 32-8190, 3256-24, 3256-3, 3256-36, 3256-4, 453011, 47-9950, 48-9220, 513458, 7-0052	Washer - Flat 3/8 SAE Y/Zinc	2	
97	<b>R92-2379</b>	92-2379	Clamp - Hose	3	
98	<b>R2412-34</b>	2412-34, 31-0120	Clamp - Hose .75-1.5	4	
99	<b>R93-5957</b>	93-5957	Cap - Radiator	1	
100	<b>R110-5310-01</b>	110-5310-01	Bracket-Mounting	1	
101	<b>R115-1554</b>	105-3912, 115-1554, 115-1554-01	Latch-Draw	1	
102	<b>R3290-382</b>	3269-15, 3290-382	Rivet - 5/32 x 1/2 Pop Rivet	1	
103	<b>R110-5276</b>	110-5276	Seal-Foam-Radiator	1	
104	<b>R304-46</b>	304-46, 304-60	Draincock	1	

All original equipment manufacturers names and part numbers are used for identification purposes only, and we are in no way implying that our products are original equipment parts. Prices subject to change without notice.



# Replaces Toro Reelmaster 5410G Parts

*Traction Unit - Models 03608 & 03673*

*Engine Mounting, Intake & Exhaust*



Item No	R&R Part No.	OEM Part No.	Description	Qty Req	Order Quantity
105	<b>R110-0906-01</b>	110-0906-01	Support -Oil Filter	1	
106	<b>R108-1641</b>	108-1641	Driveshaft Assy	1	
107	<b>R54-9180</b>	54-9180, 99-6570	Kit - U-Joint	2	
108	<b>RXEG52312230</b>	125-9108	Muffler Gasket	1	
109	<b>R3234-33</b>	3234-33	Bolt - 1/4-20 x 3/4 Serr Hex Flanged	2	
110	<b>R3231-27</b>	3231-27	Bolt - Carriage 3/8-16 x 7/8	2	
111	<b>R3234-36</b>	3234-36	Bolt - 5/16-18 x 1 1/4 Hx HD Flange	2	
112	<b>R19H3130</b>	322-9, 3223-5	Bolt - Hex HD 5/16-18 x 1-3/4	2	
113	<b>R56-7972</b>	56-7972	Clamp - Tube	2	
114	<b>R100-4240</b>	100-4240	No 8 Orfs Male x No 12 Orb Male	1	

All original equipment manufacturers names and part numbers are used for identification purposes only, and we are in no way implying that our products are original equipment parts. Prices subject to change without notice.