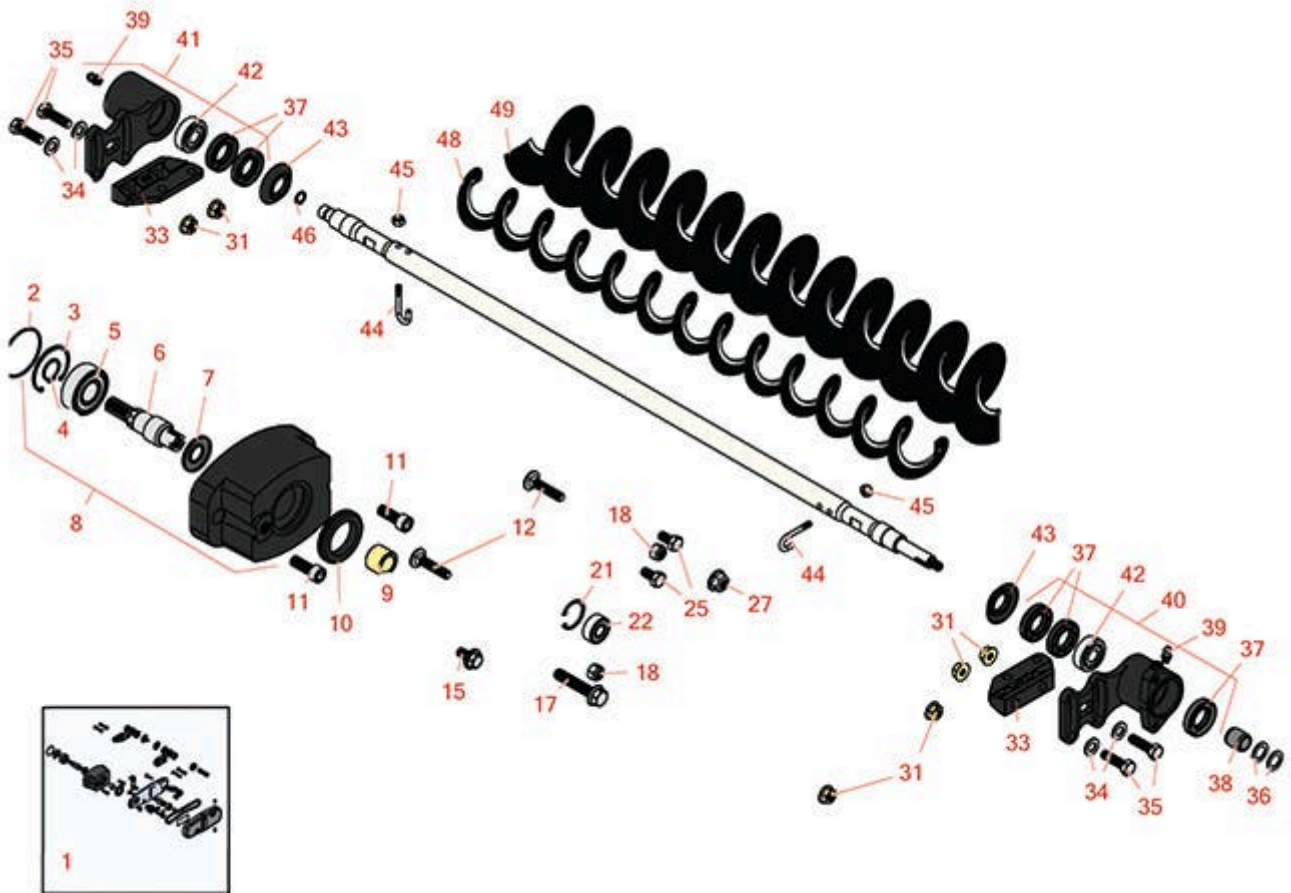




Replaces Toro Reelmaster 5410G Parts

DPA Cutting Unit with 5" Reel - Model 03694 & 03695

Rear Roller Brush - Model 03668



All original equipment manufacturers names and part numbers are used for identification purposes only, and we are in no way implying that our products are original equipment parts. Prices subject to change without notice.



Replaces Toro Reelmaster 5410G Parts

DPA Cutting Unit with 5" Reel - Model 03694 & 03695

Rear Roller Brush - Model 03668



Item No	R&R Part No.	OEM Part No.	Description	Qty Req	Order Quantity
1	R150906	03663	Brush Kit - Rear Roller - Less Brush	1	
2	R112-6968	112-6968	O-Ring	1	
3	R32120-62	32120-62	Ring - Retaining	1	
4	R458013	30-0580, 32120-72, 458013, 93-2525, 936125	Ring - Retaining	1	
5	R93-2559	93-2559	Bearing	1	
6	R107-7796	107-7796	Shaft - Drive	1	
7	R107-7795	107-7795	Seal - Oil	1	
8	R108-4200	108-4197, 108-4200	Bearing Housing Assy	1	
9	R108-4477	108-4477	Spacer	1	
10	R240-7	240-7	Grommet - Rubber - 2 in OD	1	
11	R3274-7	3247-7, 3274-7	Bolt - Soc HD Cap 3/8-16 x 1	2	
12	R112-6950	112-6950, 3230-27	Bolt - Carriage 5/16-18 x 1-1/2	2	
15	R27-0411	27-0411	Bolt - Shoulder	1	
17	R66-9302	3234-20, 66-9302	Screw - HHF, Whiz	1	
18	R3296-47	3296-47	Locknut - 5/16-18 Jam Nyloc	2	
21	R32151-60	32151-60	Ring - Snap	1	
22	R110-1701	110-1701	Bearing	1	

All original equipment manufacturers names and part numbers are used for identification purposes only, and we are in no way implying that our products are original equipment parts. Prices subject to change without notice.



Replaces Toro Reelmaster 5410G Parts

DPA Cutting Unit with 5" Reel - Model 03694 & 03695

Rear Roller Brush - Model 03668



Item No	R&R Part No.	OEM Part No.	Description	Qty Req	Order Quantity
25	R322-2	322-2, 513338P	Bolt - Hex HD 5/16-18 x 5/8	2	
27	R104-8301	104-8301, 104-9301, 109-6658, 133-7570	Locknut - 3/8-16 Nylon Flanged	1	
31	R104-8300	104-8300, 104-8300, 119-4041	Locknut - 5/16-18 Flanged Y/Zinc	6	
33	R108-4480	108-4480	Bracket - Rear Roller Brush	2	
34	R94-6936	94-6936, 94-9236	Washer - Hardened - 5/16 SAE	4	
35	R322-16	322-16, Apr-00	Bolt - Hex HD 5/16-18 x 1-1/8	4	
36	R112-6957	112-6957	Washer - Hardened	2	
37	R106-8530	106-8530	Seal - Oil	5	
38	R108-4491	108-4491	Spacer - Hardened	1	
39	R302-5	21-6010, 302-11, 302-37, 302-47, 302-5, 302-57, 302-58, 302-6, 31-0300, 32-9660, 60-0800, 62-3880, 92-4181	Fitting - Grease	2	
40	R108-4206	108-4206	Bearing Housing Assy - Driven	1	
41	R108-4207	108-4207	Bearing Housing Assy - Non Driven	1	
42	R95-0707	95-0707	Bearing - Self Aligning	2	

All original equipment manufacturers names and part numbers are used for identification purposes only, and we are in no way implying that our products are original equipment parts. Prices subject to change without notice.



Replaces Toro Reelmaster 5410G Parts

DPA Cutting Unit with 5" Reel - Model 03694 & 03695

Rear Roller Brush - Model 03668



Item No	R&R Part No.	OEM Part No.	Description	Qty Req	Order Quantity
43	R108-4172	108-4172	Seal - Excluder	2	
44	R105-9632	105-9632	Bolt - J	2	
45	R3296-2	32127-10, 3296-2, 9157404	Nut - #10 Lock	2	
46	R237-22	107-8844, 237-22, 237-78	O-Ring	1	
48	R108-4193	108-4193	Brush - Roller - 2 OD	1	
49	R110-1740	110-1740	Brush-Roller (High HOC) 3.5 in OD	1	

All original equipment manufacturers names and part numbers are used for identification purposes only, and we are in no way implying that our products are original equipment parts. Prices subject to change without notice.