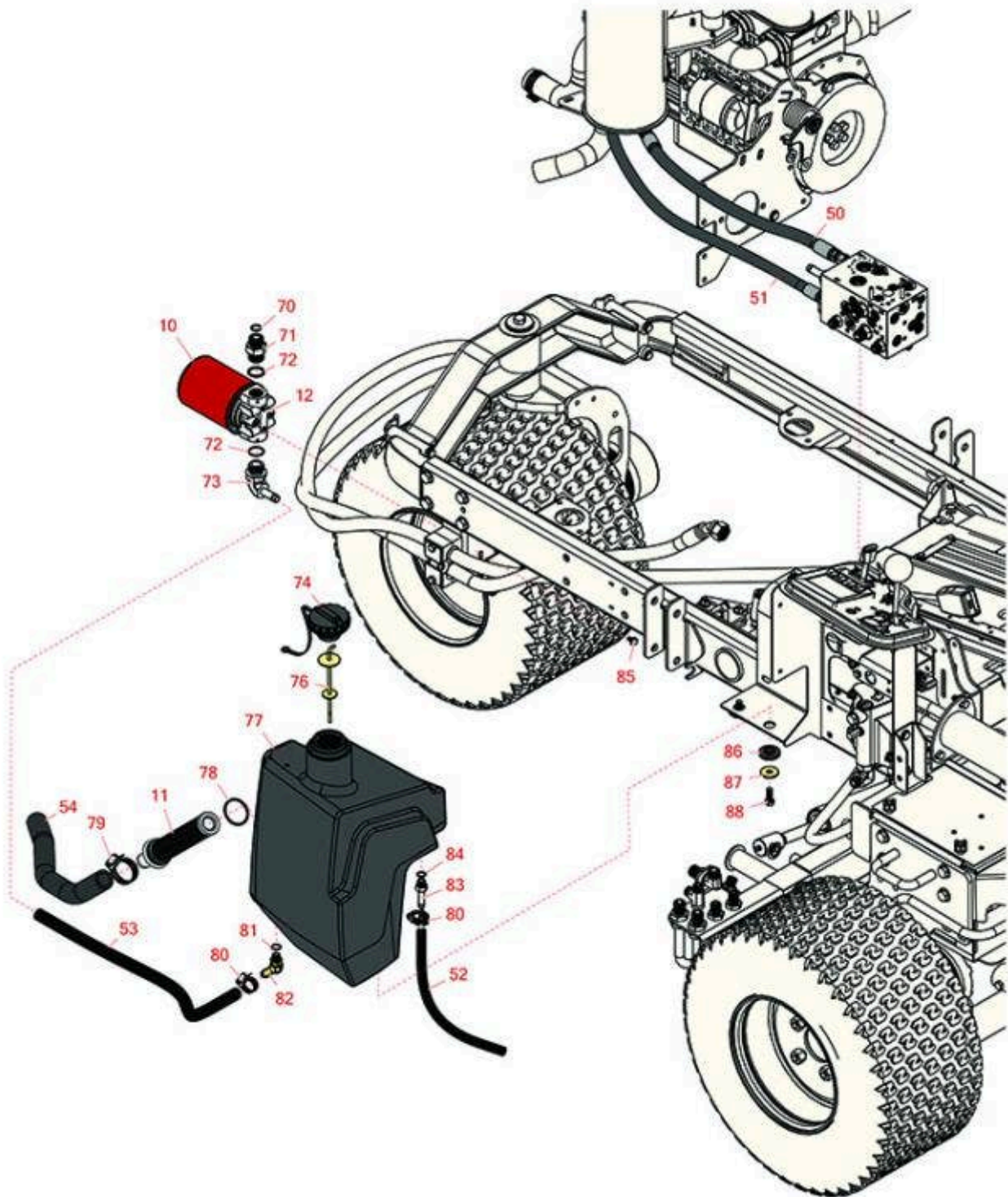




# Replaces Toro Reelmaster 3100-D Parts

Traction Unit - Model 03207

Hydraulic Tank



All original equipment manufacturers names and part numbers are used for identification purposes only, and we are in no way implying that our products are original equipment parts. Prices subject to change without notice.



# Replaces Toro Reelmaster 3100-D Parts

Traction Unit - Model 03207

Hydraulic Tank



Item No	R&R Part No.	OEM Part No.	Description	Qty Req	Order Quantity
<b>Filters</b>					
10	<b>R86-3010</b>	23-9740, 239470, 28-1370, 281370, 353-387, 353387, 54-0110, 540110, 76-6490, 86-3010, 863010, Dec-70	Baldwin Hydraulic Oil Filter	1	
10	<b>RRF10611</b>	01-317-0240, 23-9740, 54-0110	SilverGuard Hydraulic Oil Filter	1	
11	<b>R104-7546</b>	104-7546, 104-7546`	Strainer - Tank	1	
12	<b>R150924</b>		Filter Head Assy	1	
12	<b>R92-5821</b>	86-3000, 92-5821	Filter - Head	1	
<b>Hoses</b>					
50	<b>R95-8829</b>	95-8829	Hydraulic Hose Assy	1	
51	<b>R106-4197</b>	106-4197	Hydraulic Hose Assy	1	
52	<b>R104-4846</b>	104-4846	Hose	1	
53	<b>R99-3501</b>	99-3501	Hose	1	
54	<b>R104-4845</b>	104-4845	Hose - Suction	1	
<b>Other Parts Available</b>					
70	<b>R237-65</b>	237-65, 237.65	O-Ring	1	

All original equipment manufacturers names and part numbers are used for identification purposes only, and we are in no way implying that our products are original equipment parts. Prices subject to change without notice.



# Replaces Toro Reelmaster 3100-D Parts

*Traction Unit - Model 03207*

*Hydraulic Tank*



Item No	R&R Part No.	OEM Part No.	Description	Qty Req	Order Quantity
71	<b>R340-8</b>	340-8	Adapter	1	
72	<b>R237-81</b>	237-81, 237.81, 327-81	O-Ring	2	
73	<b>R95-8814</b>	95-8814	Fitting - Barbed 90 Deg	1	
74	<b>R93-7160</b>	93-3103, 93-7160	Cap - Hyd Oil w/Tether	1	
76	<b>R75-3710</b>	75-3710	Dipstick - Hyd Oil	1	
77	<b>R104-4840</b>	104-4840	Tank - Hyd	1	
78	<b>R340-136</b>	340-136	O-Ring	1	
79	<b>R2412-34</b>	2412-34, 31-0120	Clamp - Hose .75-1.5	1	
80	<b>R2412-36</b>	2210-87, 2412-36, 31-9140, 93-5818, 99-0772	Clamp - Hose 1/2	3	
81	<b>R237-79</b>	237-79	O-Ring	1	
82	<b>R354-126</b>	354-126	Hydraulic Fitting - 45 Deg	1	
83	<b>R353-979</b>	353-979	Fitting - Straight	1	
84	<b>R237-42</b>	237-42, 31-4160	O-Ring	1	
85	<b>R3234-13</b>	3234-13, 960151P	Bolt - Flanged Hex 1/4-20	2	
86	<b>R240-11</b>	240-11	Bushing - Rubber - Flanged	4	
87	<b>R63-8410</b>	53-6380, 63-4810, 63-8410	Washer - Isolator Bushing	4	

All original equipment manufacturers names and part numbers are used for identification purposes only, and we are in no way implying that our products are original equipment parts. Prices subject to change without notice.



# Replaces Toro Reelmaster 3100-D Parts

*Traction Unit - Model 03207*

*Hydraulic Tank*



Item No	R&R Part No.	OEM Part No.	Description	Qty Req	Order Quantity
88	<b>R3234-11</b>	3234-11	Bolt - Hex Washer HD	4	

All original equipment manufacturers names and part numbers are used for identification purposes only, and we are in no way implying that our products are original equipment parts. Prices subject to change without notice.