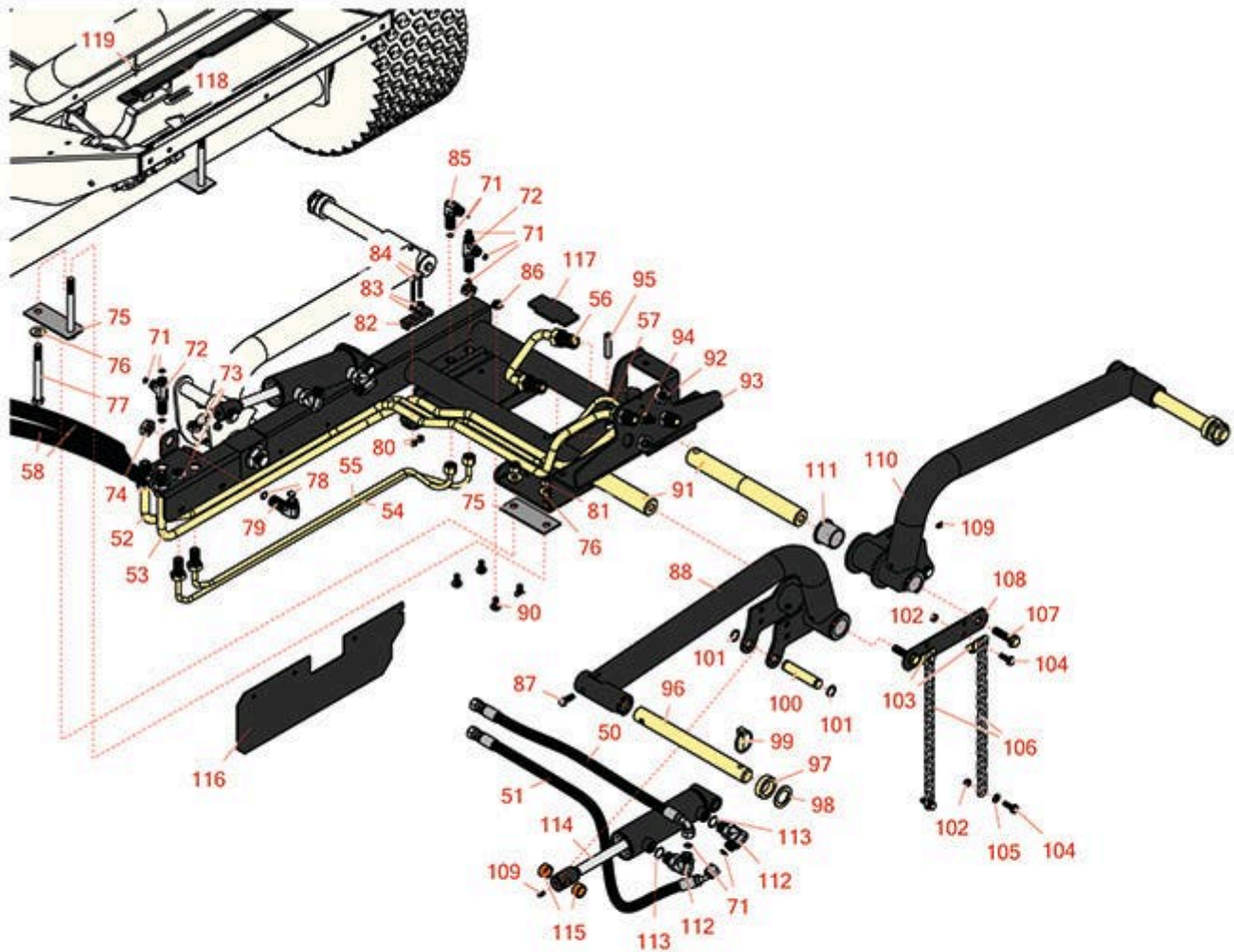
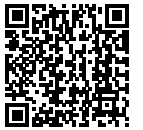




Replaces Toro Reelmaster 3100-D Parts

Traction Unit - Model 03207

Front Carrier



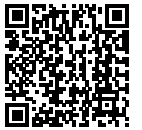
All original equipment manufacturers names and part numbers are used for identification purposes only, and we are in no way implying that our products are original equipment parts. Prices subject to change without notice.



Replaces Toro Reelmaster 3100-D Parts

Traction Unit - Model 03207

Front Carrier



| Item No | R&R Part No. | OEM Part No. | Description | Qty Req | Order Quantity |
|------------------------------|--------------------|--------------------------------|--------------------------|---------|----------------|
| Hoses | | | | | |
| 50 | R95-8840 | 95-8840 | Hydraulic Hose Assy | 1 | |
| 51 | R99-3439 | 99-3439 | Hydraulic Hose Assy | 1 | |
| 52 | R95-8980 | 95-8980 | Tube Assy | 1 | |
| 53 | R95-8981 | 95-8981 | Tube Assy | 1 | |
| 54 | R95-8983 | 95-8983 | Tube Assy | 1 | |
| 55 | R95-8984 | 95-8984 | Tube Assy | 1 | |
| 56 | R94-1319 | 94-1319 | Tube - Hyd | 1 | |
| 56 | R99-3640 | 99-3640 | Tube Assy | 1 | |
| 57 | R95-8982 | 95-8982 | Tube Assy | 1 | |
| 58 | R95-8822 | | Hydraulic Hose Assy | 2 | |
| 58 | R95-8821 | 95-8821, 95-8822 | Hydraulic Hose Assy | 1 | |
| Other Parts Available | | | | | |
| 71 | R237-22 | 107-8844, 237-22, 237-78 | O-Ring | 9 | |
| 72 | R340-68 | 340-120, 340-68 | Fitting - Tee - Bulkhead | 2 | |
| 73 | R340-70 | 340-70 | Nut - Lock | 4 | |
| 74 | R340-127 | 340-127 | Nut - Bulkhead | 3 | |
| 75 | R99-3373 | 99-3373 | Bar - Support - Slide | 4 | |
| 76 | R87-7270-01 | 87-7270, 87-7270-01 | Washer - Flat 1/2 | 8 | |

All original equipment manufacturers names and part numbers are used for identification purposes only, and we are in no way implying that our products are original equipment parts. Prices subject to change without notice.



Replaces Toro Reelmaster 3100-D Parts

Traction Unit - Model 03207

Front Carrier



| Item No | R&R Part No. | OEM Part No. | Description | Qty Req | Order Quantity |
|---------|------------------|--|-----------------------------|---------|----------------|
| 77 | R325-19 | 01-150-1450, 01-158-1260, 01-178-0840, 20-99-AGD, 325-19 | Bolt - Hex HD 1/2-13 x 5 | 4 | |
| 78 | R237-30 | 23-6320, 237-30 | O-Ring - Seal | 2 | |
| 79 | R93-9151 | 93-9151 | Hydraulic Fitting | 1 | |
| 80 | R301504 | 2296-42, 301504, 32127-24, 32128-33, 32146-17, 3296-16, 3296-42, 3296-42 , 915661P | Locknut - ESNA 1/4-20 | 2 | |
| 81 | RF5003 | 32127-29, 32131-5, 32132-5, 3296-23 | Locknut - ESNA 1/2-13 | 4 | |
| 82 | R93-2509 | 93-2509 | Clamp - Tube | 2 | |
| 83 | R3256-22 | 24-9-BD, 3-1032, 3256-1, 3256-22, 93-0954, 93-0989 | Washer - Flat 1/4 Yellow | 2 | |
| 84 | R3234-34 | 321-11, 323-12, 3234-34 | Bolt - Hex Washer 1/4 x 2 | 2 | |
| 85 | R340-154 | 340-154, 93-9150 | Union - Bulkhead | 1 | |
| 86 | R32128-43 | 30-8990, 32128-43, 3290-357 | Nut - Flanged Whiz - 3/8-16 | 4 | |

All original equipment manufacturers names and part numbers are used for identification purposes only, and we are in no way implying that our products are original equipment parts. Prices subject to change without notice.



Replaces Toro Reelmaster 3100-D Parts

Traction Unit - Model 03207

Front Carrier



| Item No | R&R Part No. | OEM Part No. | Description | Qty Req | Order Quantity |
|---------|---------------------|--|---|---------|----------------|
| 87 | R323-6 | 01-150-0010, 01-178-0608, 20-47-AD, 20-47-AGD, 3224-2, 323-6, 49-3510, 908034P, 908332 | Bolt - Hex HD 3/8-16 x 1 GR5 YZ | 2 | |
| 88 | R115-3466 | 115-3466, 95-8553, 95-8553-01 | Lift Arm Assy - Short RH | 1 | |
| 90 | R3234-1 | 321-11, 3234-1 | Bolt - Flanged Serrated Hex HD 3/8-16 x 3/4 | 4 | |
| 91 | R95-8531 | 95-8531 | Pivot Shaft | 2 | |
| 92 | R340-74 | 340-74 | Locknut - Bulkhead | 4 | |
| 93 | R100-4930-03 | 100-4930-03 | Carrier Assy | 1 | |
| 94 | R340-78 | 340-78 | Nut - Lock Bulkhead | 1 | |
| 95 | R32121-122 | 01-153-0140, 32121-122 | Pin - Roll 1/2 x 2 | 2 | |
| 96 | R95-8979 | 95-8979 | Shaft - Pivot - 11.687 in Hardened | 2 | |
| 97 | R63-0070 | 26-1580, 63-0070 | Spacer - 1/2 HOC | 2 | |
| 98 | R3-6781 | 3-6781 | Washer - Thrust - Castor Wheel | 2 | |
| 99 | R283-71 | 283-71 | Pin - Lynch Heavy Duty | 2 | |
| 100 | R95-8575 | 95-8575 | Pin | 3 | |
| 101 | R32120-93 | 32120-93 | Snap Ring - HD | 6 | |

All original equipment manufacturers names and part numbers are used for identification purposes only, and we are in no way implying that our products are original equipment parts. Prices subject to change without notice.



Replaces Toro Reelmaster 3100-D Parts

Traction Unit - Model 03207

Front Carrier



| Item No | R&R Part No. | OEM Part No. | Description | Qty Req | Order Quantity |
|---------|--------------------|--|---------------------------|---------|----------------|
| 102 | R3296-29 | 1-804256, 3290-357, 3296-29, 915662P | Locknut - 5/16-18 ESNA | 4 | |
| 103 | R99-3550 | 99-3550 | Clip - Link | 2 | |
| 104 | R3234-29 | 3234-17, 3234-29 | Bolt - 5/16-18x1 Serr Hex | 4 | |
| 105 | R453009 | 01-166-0400, 24-10-BD, 24-9-AD, 32-9650, 3256-2, 3256-23, 3256-3, 3256-67, 3290-217, 3556-3, 4-2390, 7-0152 | Washer - Flat 5/16 SAE | 2 | |
| 106 | R98-7981 | 98-7981 | Chain - Link | 2 | |
| 107 | R3234-27 | 3234-27 | Bolt - 1/2-13 x 2 Hex | 2 | |
| 108 | R95-8532-03 | 95-8532, 95-8532-03 | Link - Shaft - Pivot | 1 | |
| 109 | R302-5 | 21-6010, 302-11, 302-37, 302-47, 302-5, 302-57, 302-58, 302-6, 31-0300, 32-9660, 60-0800, 62-3880, 92-4181 | Fitting - Grease | 2 | |

All original equipment manufacturers names and part numbers are used for identification purposes only, and we are in no way implying that our products are original equipment parts. Prices subject to change without notice.



Replaces Toro Reelmaster 3100-D Parts

Traction Unit - Model 03207

Front Carrier



| Item No | R&R Part No. | OEM Part No. | Description | Qty Req | Order Quantity |
|---------|---------------------|-------------------------------------|-------------------------------|---------|----------------|
| 110 | R115-3465 | 115-3465, 95-8554, 95-8554-01 | Lift Arm Assy - Short LH | 1 | |
| 111 | R69-6470 | 69-6470 | Bushing - Flanged | 4 | |
| 112 | R340-77 | 340-100, 340-77, 95-7889 | Hydraulic Fitting | 2 | |
| 113 | R237-42 | 237-42, 31-4160 | O-Ring | 1 | |
| 114 | R112-9916 | 108-9033, 112-9916 | Hydraulic Cylinder | 1 | |
| 115 | R75-9590 | 75-9590 | Spacer - Cylinder | 2 | |
| 116 | R104-0453-03 | 104-0453-03, 95-8591-03 | Guard | 1 | |
| 117 | R95-8538 | 95-8538 | Slide-Plastic | 1 | |
| 118 | R95-8936 | 95-8936 | Strip - Wear | 1 | |
| 119 | R3269-18 | 3269-18 | Rivet - Pop 3/16 Large Flange | 4 | |

All original equipment manufacturers names and part numbers are used for identification purposes only, and we are in no way implying that our products are original equipment parts. Prices subject to change without notice.