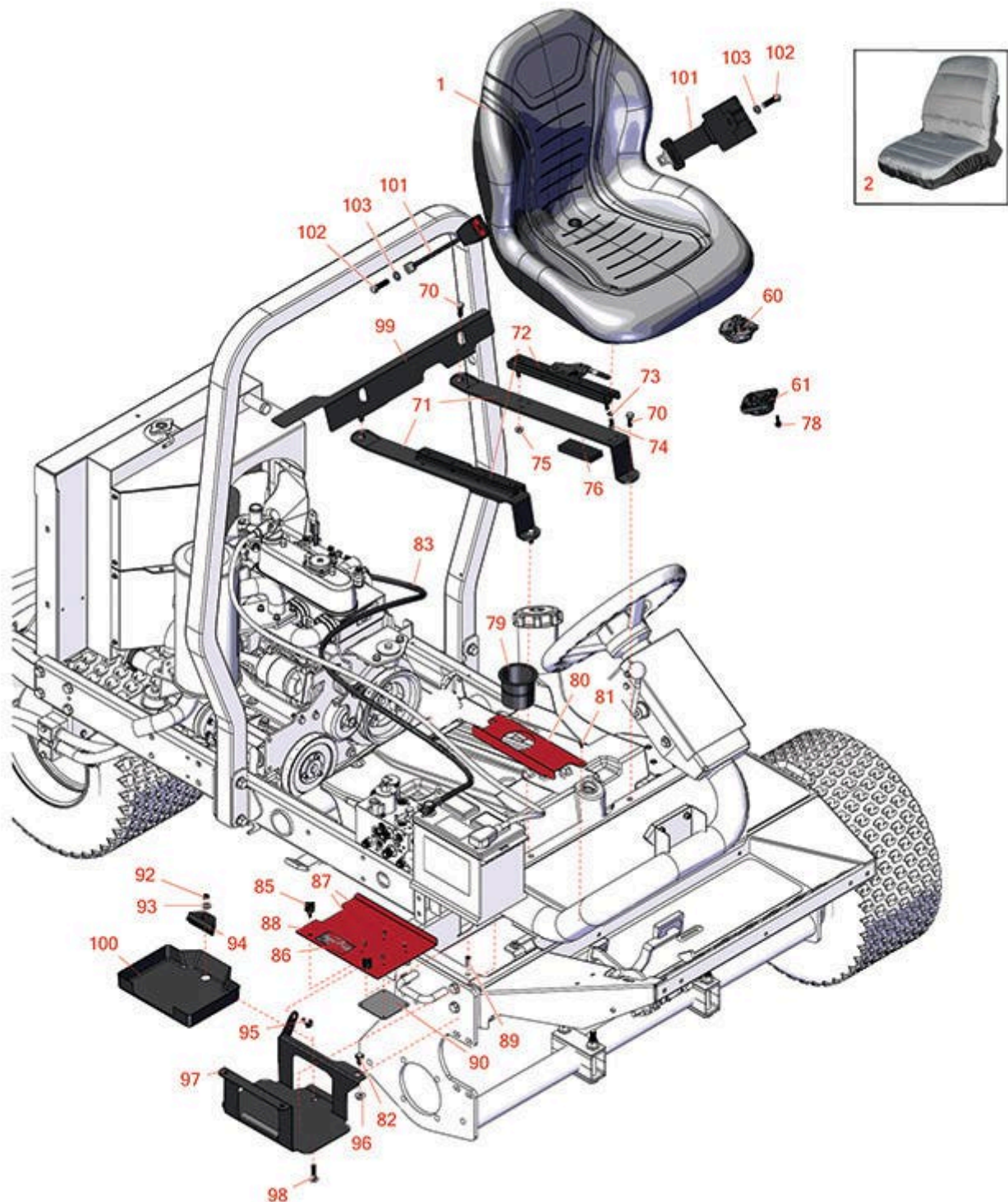




Replaces Toro Reelmaster 3100-D Parts

Traction Unit - Model 03207

Battery & Seat



All original equipment manufacturers names and part numbers are used for identification purposes only, and we are in no way implying that our products are original equipment parts. Prices subject to change without notice.



Replaces Toro Reelmaster 3100-D Parts

Traction Unit - Model 03207

Battery & Seat



Item No	R&R Part No.	OEM Part No.	Description	Qty Req	Order Quantity
1	RMXB200GY	100-3187, 104-4620, 104-7620, 21-4880, 351-59, 351-76, 49-8130, 63-9410, 66-5400, 75-9190, 750105, 92-6280, MXB200GY	Milsco Seat XB200 - Grey	1	
<i>Tech Note: This seat will not accept seat belts:</i>					
2	R120-5179	120-5179	Large Seat Cover - Gray	1	
Gauges and controls					
60	R151541	R&R ON, LY	Delta Seat Switch - Twist Mount 1 Pole Normally Open	1	
61	R92-6282	62-6282, 92-6282	Switch - Kill - Seat	1	
Other Parts Available					
70	R3234-11	3234-11	Bolt - Hex Washer HD	4	
71	R104-4847-03	104-4847-03	Strap - Seat Support	2	
72	R150224	133-8896, 92-8990, 92-8990/92-8991, 92-8991	Adjusters - Seat (Set of 2)	1	
73	R3255-8	3255-8	Washer - Lock 5/16 Ext	4	
74	R322-2	322-2, 513338P	Bolt - Hex HD 5/16-18 x 5/8	4	

All original equipment manufacturers names and part numbers are used for identification purposes only, and we are in no way implying that our products are original equipment parts. Prices subject to change without notice.



Replaces Toro Reelmaster 3100-D Parts

Traction Unit - Model 03207

Battery & Seat



Item No	R&R Part No.	OEM Part No.	Description	Qty Req	Order Quantity
75	R445795	30-4020, 32128-25, 445795	Nut - 5/16-18 Flanged	4	
76	R95-8896	95-8896	Foam	2	
78	R32144-10	32140-81, 32144-10, 32144-3, 34-140-AMVD	Bolt - 1/4-20 x 3/4 Serrated Hx Wshr	2	
79	R94-1410	94-1410	Holder - Beverage Can	1	
80	R95-8817-01	95-8817, 95-8817-01	Cover - Battery - Inner	1	
81	R300403	32144-4, 32144-63, 49-2040	Bolt - Hex HD 1/4-20 x 1/2	2	
82	R3234-1	321-11, 3234-1	Bolt - Flanged Serrated Hex HD 3/8-16 x 3/4	3	
83	R95-8854	95-8854	Cable - Battery - Neg	1	
85	R233-70	233-70, 42619	Knob - Star - Three Prong	2	
86	R93-7276	93-7276	Decal - Danger	1	
87	R3269-27	3269-27	Rivet - Snap	4	
88	R99-3602	95-8807, 95-8807-01, 99-3602	Battery Cover Assy	1	
89	R32148-6	32148-6	Insert - Nut	2	
90	R87-7620	87-7620	Shield - Terminal	1	
92	R3296-29	1-804256, 3290-357, 3296-29, 915662P	Locknut - 5/16-18 ESNA	1	

All original equipment manufacturers names and part numbers are used for identification purposes only, and we are in no way implying that our products are original equipment parts. Prices subject to change without notice.



Replaces Toro Reelmaster 3100-D Parts

Traction Unit - Model 03207

Battery & Seat



Item No	R&R Part No.	OEM Part No.	Description	Qty Req	Order Quantity
93	R453009	01-166-0400, 24-10-BD, 24-9-AD, 32-9650, 3256-2, 3256-23, 3256-3, 3256-67, 3290-217, 3556-3, 4-2390, 7-0152	Washer - Flat 5/16 SAE	1	
94	R66-2490	66-2490	Retainer - Battery	1	
95	R32144-15	32144-15	Bolt - Hex Washer HD	1	
96	R32128-43	30-8990, 32128-43, 3290-357	Nut - Flanged Whiz - 3/8-16	3	
97	R95-8796-03	95-8796, 95-8796-03	Support -Battery	1	
98	R3230-6	3230-6	Bolt - Carraige	1	
99	R104-4833-03	104-4833-03	Shield - Heat	1	
100	R99-3513	99-3513	Tray - Battery	1	
101	R150848	100-4928, 110-0413, 110-9720, 95-8910	Belt-Seat	1	
102	R3212-4	3212-3, 3212-4	Bolt - Hex HD 7/16-20 x 1 GR5	2	
103	R3253-6	01-166-0710, 23-12-GD, 3253-6, 59-7590	Washer - Lock 7/16 Zinc	2	

All original equipment manufacturers names and part numbers are used for identification purposes only, and we are in no way implying that our products are original equipment parts. Prices subject to change without notice.