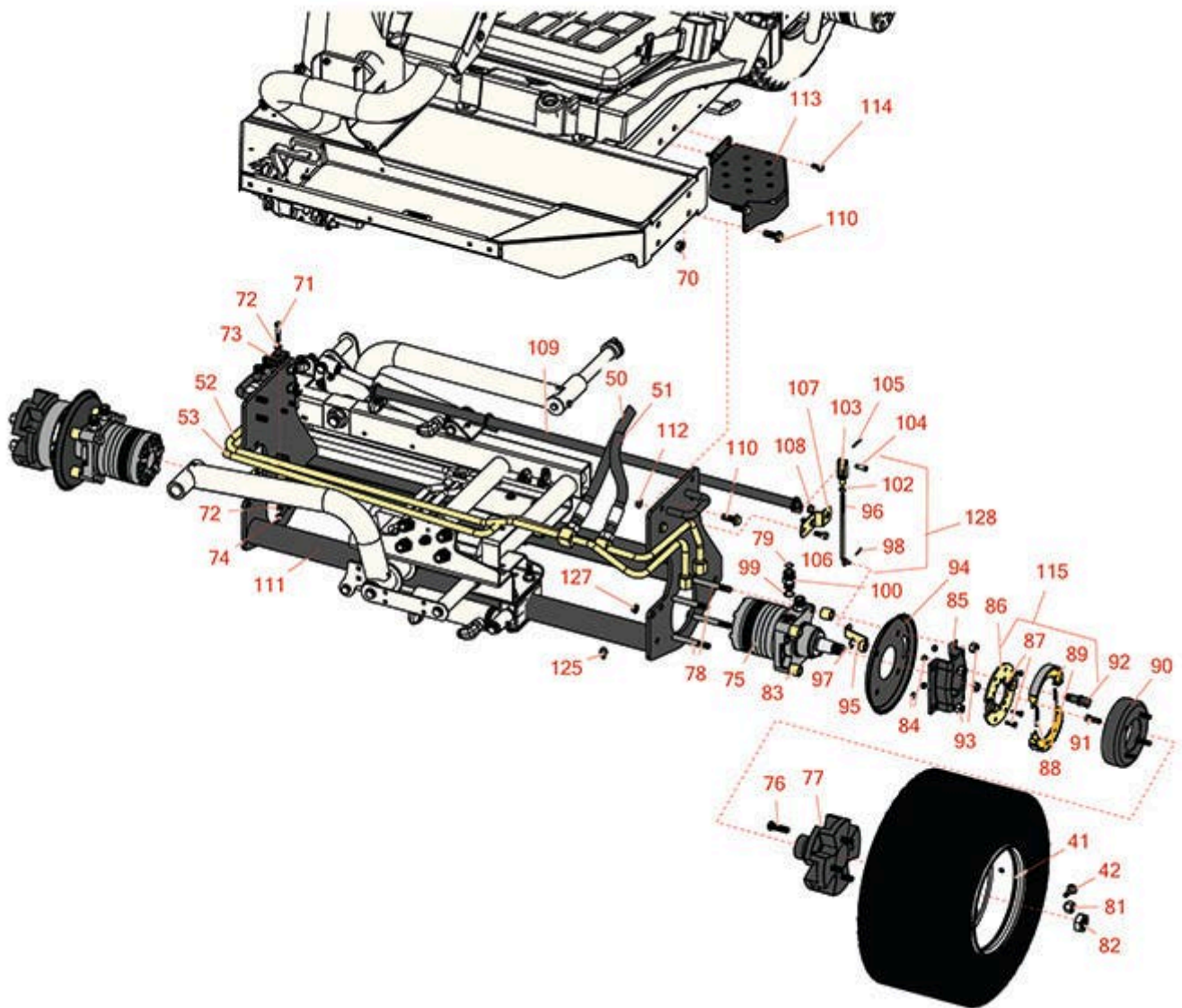




# Replaces Toro Reelmaster 3100-D Parts

Traction Unit - Model 03206

Front Wheel



All original equipment manufacturers names and part numbers are used for identification purposes only, and we are in no way implying that our products are original equipment parts. Prices subject to change without notice.



# Replaces Toro Reelmaster 3100-D Parts

Traction Unit - Model 03206

Front Wheel



| Item No                      | R&R Part No.     | OEM Part No.   | Description                   | Qty Req | Order Quantity |
|------------------------------|------------------|--|-------------------------------|---------|----------------|
| 41                           | <b>R104-0452</b> | 104-0452   | Rim - Wheel 10 x 9 3/4        | 2       |                |
| 42                           | <b>R232-27</b>   | 232-27,<br>232-31  | Stem - Valve w/ Cap           | 2       |                |
| <b>Hoses</b>                 |                  |  |                               |         |                |
| 50                           | <b>R105-1221</b> | 105-1221   | Hydraulic Hose Assy           | 1       |                |
| 51                           | <b>R105-1214</b> | 105-1214,<br>95-8834   | Hydraulic Hose Assy           | 1       |                |
| 52                           | <b>R95-8783</b>  | 95-8783  | Tube Assy                     | 1       |                |
| 53                           | <b>R95-8784</b>  | 95-8784  | Tube Assy                     | 1       |                |
| <b>Other Parts Available</b> |                  |  |                               |         |                |
| 70                           | <b>R32128-49</b> | 32128-49   | Nut - 1/2-13 Hex Flange       | 8       |                |
| 71                           | <b>R19H3130</b>  | 322-9,<br>3223-5   | Bolt - Hex HD 5/16-18 x 1-3/4 | 2       |                |
| 72                           | <b>R453009</b>   | 01-166-0400,<br>24-10-BD,<br>24-9-AD,<br>32-9650,<br>3256-2,<br>3256-23,<br>3256-3,<br>3256-67,<br>3290-217,<br>3556-3,<br>4-2390,<br>7-0152 | Washer - Flat 5/16 SAE        | 4       |                |
| 73                           | <b>R56-7971</b>  | 56-7971  | Clamp - Tube                  | 4       |                |
| 74                           | <b>R3296-29</b>  | 1-804256,<br>3290-357,<br>3296-29,<br>915662P  | Locknut - 5/16-18 ESNA        | 2       |                |

All original equipment manufacturers names and part numbers are used for identification purposes only, and we are in no way implying that our products are original equipment parts. Prices subject to change without notice.



# Replaces Toro Reelmaster 3100-D Parts

*Traction Unit - Model 03206*

*Front Wheel*



| Item No | R&R Part No.        | OEM Part No.   | Description                  | Qty Req | Order Quantity |
|---------|---------------------|--|------------------------------|---------|----------------|
| 75      | <b>R110-8786</b>    | 110-8786,<br>95-8693   | Hydraulic Motor - RH Wheel   | 1       |                |
| 75      | <b>R110-8785</b>    | 110-8785   | Hydraulic Motor - LH Wheel   | 1       |                |
| 75      | <b>R75-9990</b>     | 75-9990  | Hydraulic Motor - Wheel      | 2       |                |
| 76      | <b>R10-6830</b>     | 10-6830,<br>75-9440  | Stud - Wheel 1/2-20 x 1 3/4  | 8       |                |
| 77      | <b>R104-0462-03</b> | 104-0462,<br>104-0462-03   | Hub - Wheel - Front          | 2       |                |
| 78      | <b>R3274-99</b>     | 3274-99  | Bolt - Hx Soc HD             | 8       |                |
| 79      | <b>R237-65</b>      | 237-65,<br>237.65  | O-Ring                       | 4       |                |
| 81      | <b>R242-50</b>      | 242-50   | Nut - 1/2-20 Wheel           | 8       |                |
| 82      | <b>R26-3790</b>     | 26-3790  | Nut - Hex - Wheel Motor 1-20 | 2       |                |
| 83      | <b>R92-1715</b>     | 100005,<br>92-1715   | Spacer                       | 8       |                |
| 84      | <b>R301504</b>      | 2296-42,<br>301504,<br>32127-24,<br>32128-33,<br>32146-17,<br>3296-16,<br>3296-42,<br>3296-42 ,<br>915661P | Locknut - ESNA 1/4-20        | 8       |                |
| 85      | <b>R84-2000-03</b>  | 84-2000,<br>84-2000-03   | Bracket - Brake              | 2       |                |
| 86      | <b>R70-9870</b>     | 70-9870  | Plate - Backing              | 2       |                |
| 87      | <b>R321-5</b>       | 321-31,<br>321-5   | Bolt - Hex HD 1/4-20 x 7/8   | 8       |                |
| 88      | <b>R70-9880</b>     | 70-9880  | Spring - Brake Shoe          | 4       |                |

All original equipment manufacturers names and part numbers are used for identification purposes only, and we are in no way implying that our products are original equipment parts. Prices subject to change without notice.



# Replaces Toro Reelmaster 3100-D Parts

Traction Unit - Model 03206

Front Wheel



| Item No | R&R Part No.        | OEM Part No.   | Description               | Qty Req | Order Quantity |
|---------|---------------------|--|---------------------------|---------|----------------|
| 89      | <b>R70-9840</b>     | 70-9840  | Shoe - Brake              | 4       |                |
| 90      | <b>R104-4809</b>    | 104-4809   | Drum - Brake              | 2       |                |
| 91      | <b>R3274-105</b>    | 3274-105   | Screw - Button HD Soc Cap | 8       |                |
| 92      | <b>R104-7707</b>    | 104-7707,<br>104-7708,<br>70-9850,<br>70-9860  | Cam - Brake               | 2       |                |
| 93      | <b>RF5003</b>       | 32127-29,<br>32131-5,<br>32132-5,<br>3296-23   | Locknut - ESNA 1/2-13     | 8       |                |
| 94      | <b>R104-0485-03</b> | 104-0485-03  | Shield - Wheel            | 2       |                |
| 95      | <b>R93-6850</b>     | 114-2726,<br>93-6850   | Lever - Brake             | 2       |                |
| 96      | <b>R104-4627</b>    | 104-4627   | Rod - Adjusting           | 2       |                |
| 97      | <b>R150513</b>      | 104-7706   | E - Clip - Brake Assy     | 1       |                |
| 98      | <b>R1023-4</b>      | 01-151-0150,<br>1023-4,<br>19-6220,<br>214-14,<br>215-54,<br>28-9-D,<br>3272-4,<br>3272-6,<br>513567,<br>932008P | Pin - Cotter 3/32 x 3/4   | 2       |                |
| 99      | <b>R237-80</b>      | 237-80,<br>327-80  | O-Ring                    | 4       |                |
| 100     | <b>R340-7</b>       | 340-7  | Adapter                   | 4       |                |
| 102     | <b>R3220-2</b>      | 01-191-0524,<br>3220-2   | Nut - Jam - 5/16-24       | 2       |                |

All original equipment manufacturers names and part numbers are used for identification purposes only, and we are in no way implying that our products are original equipment parts. Prices subject to change without notice.



# Replaces Toro Reelmaster 3100-D Parts

*Traction Unit - Model 03206*

*Front Wheel*



| Item No | R&R Part No.        | OEM Part No.                                 | Description                       | Qty Req | Order Quantity |
|---------|---------------------|--|-----------------------------------|---------|----------------|
| 103     | <b>R282-2</b>       | 1-303105,<br>282-2                           | Yoke                              | 2       |                |
| 104     | <b>R283-1</b>       | 283-1,<br>283-13                             | Pin - Clevis                      | 2       |                |
| 105     | <b>R3272-10</b>     | 01-151-0120,<br>105-7512,<br>3272-10,<br>N/A | Pin - Cotter 1/8 x 3/4            | 2       |                |
| 106     | <b>R3234-11</b>     | 3234-11                                      | Bolt - Hex Washer HD              | 4       |                |
| 107     | <b>R95-8683</b>     | 95-8683                                      | Bracket - Pivot                   | 2       |                |
| 108     | <b>R256-156</b>     | 256-156,<br>256-219                          | Bushing - Flanged                 | 2       |                |
| 109     | <b>R104-4625-03</b> | 104-4625-03                                  | Brake Pivot Shaft                 | 1       |                |
| 110     | <b>R3234-38</b>     | 3234-38                                      | Bolt - Flanged Hex 1/2-13 x 1-1/4 | 8       |                |
| 111     | <b>R95-8568-03</b>  | 95-8568,<br>95-8568-03                       | Frame - Lower                     | 1       |                |
| 112     | <b>R32128-43</b>    | 30-8990,<br>32128-43,<br>3290-357            | Nut - Flanged Whiz - 3/8-16       | 4       |                |
| 113     | <b>R99-3375-03</b>  | 99-3375,<br>99-3375-03                       | Step                              | 1       |                |
| 114     | <b>R3234-5</b>      | 3234-5,<br>62-3310                           | Bolt - 5/16-18x3/4 Hx Ser Was HD  | 2       |                |
| 115     | <b>R71-1500</b>     | 104-7705,<br>71-1500                         | Brake Assy                        | 2       |                |
| 125     | <b>R3234-14</b>     | 3234-14,<br>3234-23                          | Bolt - Hex Serrated Washer HD     | 3       |                |

All original equipment manufacturers names and part numbers are used for identification purposes only, and we are in no way implying that our products are original equipment parts. Prices subject to change without notice.



# Replaces Toro Reelmaster 3100-D Parts

*Traction Unit - Model 03206*

*Front Wheel*



| Item No | R&R Part No.     | OEM Part No.                                    | Description                    | Qty Req | Order Quantity |
|---------|------------------|---|--------------------------------|---------|----------------|
| 127     | <b>R104-8301</b> | 104-8301,<br>104-9301,<br>109-6658,<br>133-7570 | Locknut - 3/8-16 Nylon Flanged | 4       |                |
| 128     | <b>R115-6672</b> | 115-6672  | Brake Lever Assy               | 2       |                |

All original equipment manufacturers names and part numbers are used for identification purposes only, and we are in no way implying that our products are original equipment parts. Prices subject to change without notice.