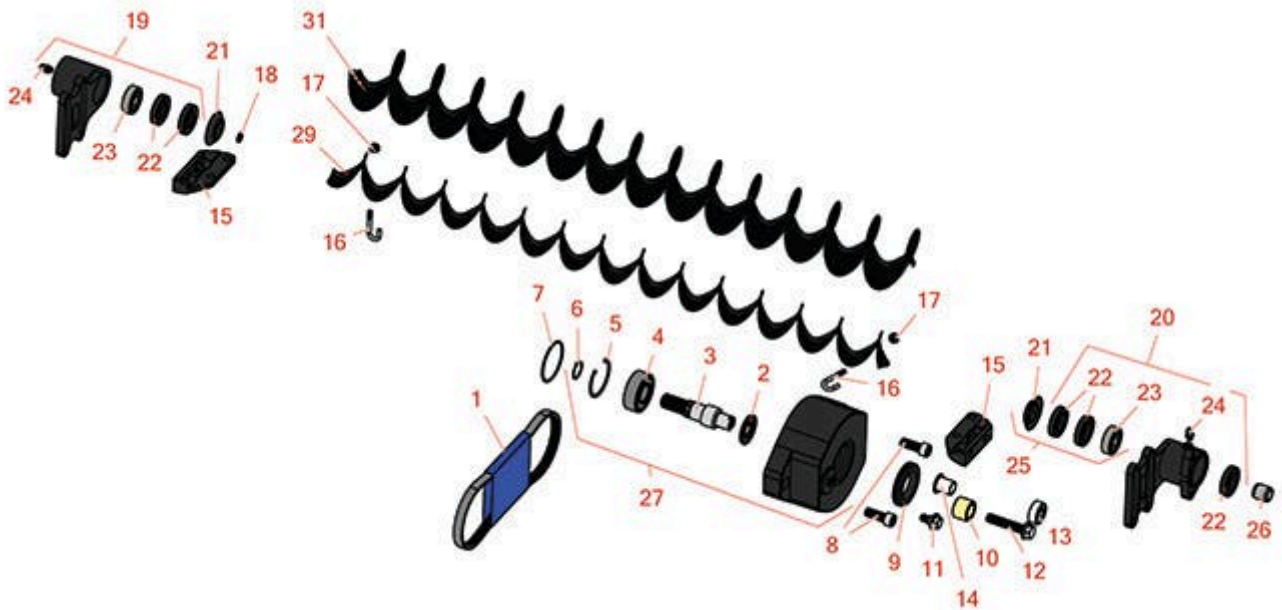
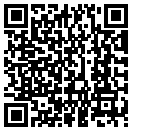




# Replaces Toro Reelmaster 3100-D Parts

32in DPA Cutting Unit - Model 03182

Rear Roller Brush - Model 03187



All original equipment manufacturers names and part numbers are used for identification purposes only, and we are in no way implying that our products are original equipment parts. Prices subject to change without notice.



# Replaces Toro Reelmaster 3100-D Parts

32in DPA Cutting Unit - Model 03182

Rear Roller Brush - Model 03187



Item No	R&R Part No.	OEM Part No.	Description	Qty Req	Order Quantity
<b>Belts</b>					
1	<b>R150622</b>	115-0828	Belt- Brush, 7-INCH Reels	1	
<b>Other Parts Available</b>					
2	<b>R107-7795</b>	107-7795	Seal - Oil	1	
3	<b>R108-4234</b>	108-4234	Shaft - Drive	1	
4	<b>R93-2559</b>	93-2559	Bearing	1	
5	<b>R32120-62</b>	32120-62	Ring - Retaining	1	
6	<b>R458013</b>	30-0580, 32120-72, 458013, 93-2525, 936125	Ring - Retaining	1	
7	<b>R112-6967</b>	112-6967	O-Ring	1	
8	<b>R3274-7</b>	3247-7, 3274-7	Bolt - Soc HD Cap 3/8-16 x 1	2	
9	<b>R240-7</b>	240-7	Grommet - Rubber - 2 in OD	1	
10	<b>R108-4477</b>	108-4477	Spacer	1	
11	<b>R27-0411</b>	27-0411	Bolt - Shoulder	1	
12	<b>R66-9302</b>	3234-20, 66-9302	Screw - HHF, Whiz	1	
13	<b>R110-1701</b>	110-1701	Bearing	1	
14	<b>R256-155</b>	256-155, 265-155	Bushing - Flanged	1	
15	<b>R108-4480</b>	108-4480	Bracket - Rear Roller Brush	2	
16	<b>R105-9632</b>	105-9632	Bolt - J	2	

All original equipment manufacturers names and part numbers are used for identification purposes only, and we are in no way implying that our products are original equipment parts. Prices subject to change without notice.



# Replaces Toro Reelmaster 3100-D Parts

32in DPA Cutting Unit - Model 03182

Rear Roller Brush - Model 03187



Item No	R&R Part No.	OEM Part No.	Description	Qty Req	Order Quantity
17	<b>R3296-2</b>	32127-10, 3296-2, 9157404	Nut - #10 Lock	2	
18	<b>R237-22</b>	107-8844, 237-22, 237-78	O-Ring	1	
19	<b>R108-4496</b>	108-4496	Bearing Housing Assy - Non Driven	1	
20	<b>R108-4495</b>	108-4495	Bearing Housing Assy - Driven	1	
21	<b>R108-4172</b>	108-4172	Seal - Excluder	2	
22	<b>R106-8530</b>	106-8530	Seal - Oil	5	
23	<b>R95-0707</b>	95-0707	Bearing - Self Aligning	2	
24	<b>R302-5</b>	21-6010, 302-11, 302-37, 302-47, 302-5, 302-57, 302-58, 302-6, 31-0300, 32-9660, 60-0800, 62-3880, 92-4181	Fitting - Grease	2	
25	<b>R110-4086</b>	110-4086	Kit - Bearing	1	
<i>Tech Note: Includes 1 ea: R95-0707 Bearing, R108-4172 Seal; &amp; 3 ea: R106-8530 Seal:</i>					
26	<b>R108-4491</b>	108-4491	Spacer - Hardened	1	
27	<b>R108-4201</b>	108-4201	Bearing Housing Assy	1	
29	<b>R115-0813</b>	115-0813	Brush - Roller - 2 in OD x 27 in	1	
31	<b>R115-0838</b>	115-0838	Brush - Roller - High HOC 3 1/2 in OD x 27 in	1	

All original equipment manufacturers names and part numbers are used for identification purposes only, and we are in no way implying that our products are original equipment parts. Prices subject to change without notice.