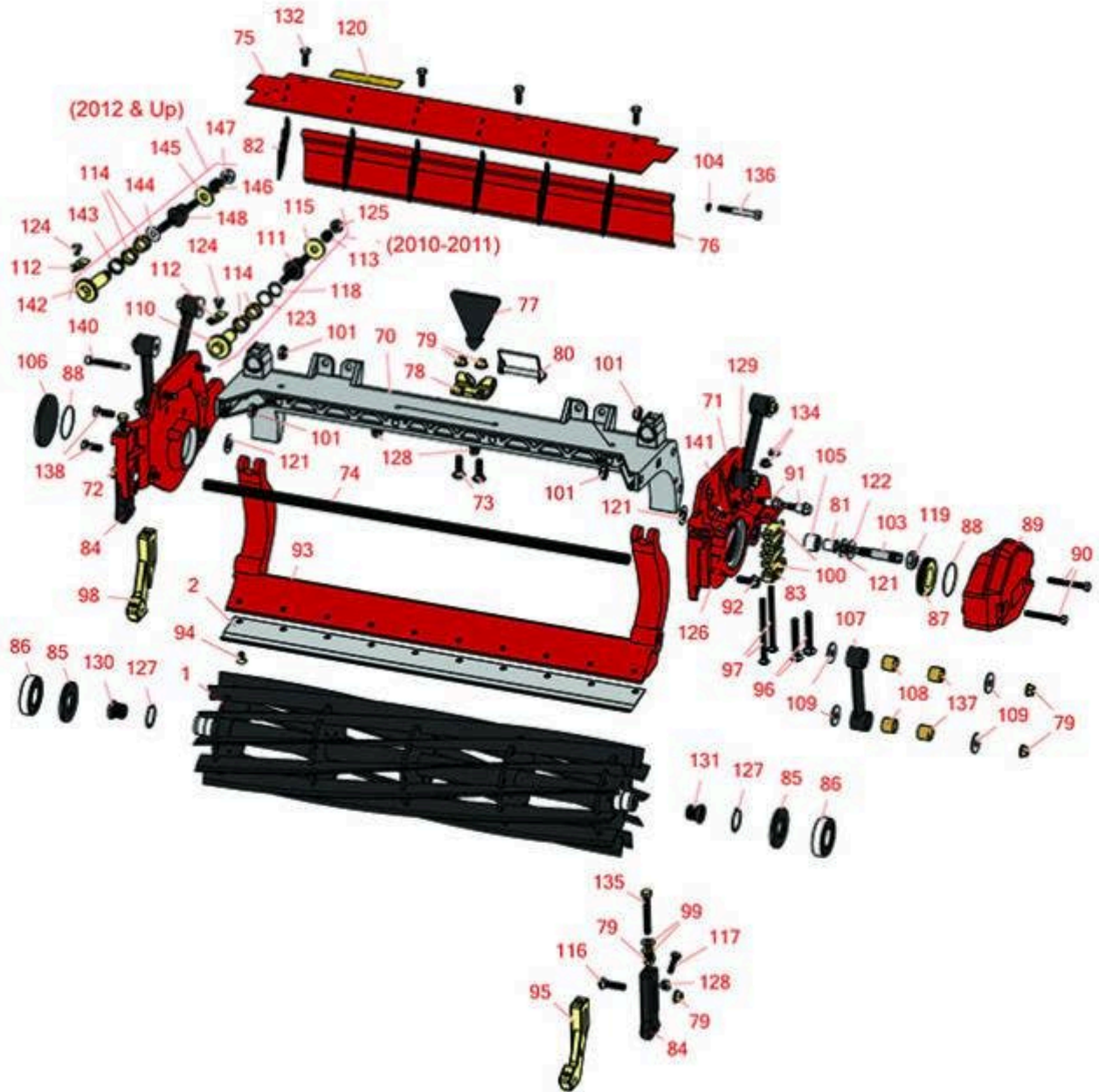




# Replaces Toro Reelmaster 3100-D Parts

27in DPA Cutting Unit - Models 03180, 03181, 03182 & 03183

Reel & Bedknife



All original equipment manufacturers names and part numbers are used for identification purposes only, and we are in no way implying that our products are original equipment parts. Prices subject to change without notice.



# Replaces Toro Reelmaster 3100-D Parts

27in DPA Cutting Unit - Models 03180, 03181, 03182 & 03183

Reel & Bedknife



Item No	R&R Part No.	OEM Part No.	Description	Qty Req	Order Quantity
<b>R&amp;R Reels, Lifetime Guaranteed</b>					
1	<b>R115-8270</b>	115-8270	Reel - 5 Blade 27x7	1	
1	<b>R127-2093</b>	127-2093	Reel - 5 Blade Radial 27x7	1	
1	<b>R115-8275</b>	115-8275	Reel - 8 Blade 27x7	1	
1	<b>R127-2094</b>	127-2094	Reel - 8 Blade Radial 27x7	1	
1	<b>R115-8278</b>	115-8278	Reel - 11 Blade 27x7	1	
1	<b>R127-2095</b>	127-2095	Reel - 11 Blade Radial 27x7	1	
1	<b>R127-2104</b>	115-8282, 127-2104	Reel - 5 Blade Radial 32x7	1	
<i>Tech Note: Includes R107-3275 &amp; R107-3276 Threaded Insert:</i>					
1	<b>R115-8286</b>	115-8286	Reel - 8 Blade 32x7	1	
<i>Tech Note: Includes R107-3275 &amp; R107-3276 Threaded Insert:</i>					
1	<b>R127-2105</b>	127-2105	Reel - 8 Blade Radial 32x7	1	
<i>Tech Note: Includes R107-3275 &amp; R107-3276 Threaded Insert:</i>					
1	<b>R133-8273</b>	133-8273	Reel - 8 Blade Razor Series Radial 32x7	1	
<i>Tech Note: Includes R107-3275 &amp; R107-3276 Threaded Insert:</i>					
1	<b>R137-8477</b>	137-8477	Reel - 8 Blade Razor Series Radial w/Bearings and Seals 32x7	1	
<i>Tech Note: Includes R107-3275 &amp; R107-3276 Threaded Insert:</i>					
1	<b>R133-8271</b>	133-8271	Reel - 11 Blade Razor Series Radial 27x7	1	

## R&R Bedknives, Lifetime Guaranteed

All original equipment manufacturers names and part numbers are used for identification purposes only, and we are in no way implying that our products are original equipment parts. Prices subject to change without notice.



# Replaces Toro Reelmaster 3100-D Parts

27in DPA Cutting Unit - Models 03180, 03181, 03182 & 03183

Reel & Bedknife



Item No	R&R Part No.	OEM Part No.	Description	Qty Req	Order Quantity
2	<b>R114-9388</b>	114-9388	Bedknife - 27 in Unit - Standard	1	
2	<b>R114-9390</b>	114-9390	Bedknife - 27 in Unit - Heavy Duty	1	
2	<b>R114-9389</b>	114-9389	Bedknife - 32 in Unit - Standard	1	
2	<b>R114-9391</b>	114-9391	Bedknife - 32 in Unit - Heavy Duty	1	

## **R&R Razor Tool Steel Bedknives, Lifetime Guaranteed**

2	<b>R112-8910</b>	112-8910	Bedknife - Razor Tool Steel - 27 High Cut	1	
2	<b>R112-8956</b>	112-8956	Bedknife - Razor Tool Steel - 32 x 3/8 Fairway	1	

## **Overhaul Kits**

10	<b>R114-5430</b>	114-5430	Overhaul Kit - Roller	1	
<i>Tech Note: Includes 4 ea.: R112-7494 Seals; 2 ea.: R302-5 Grease Zerks, R114-3717 Seals, R112-5290 Bearings &amp; R114-3745 Locknuts:</i>					
11	<b>R120-7230</b>	120-7230	Overhaul Kit - Fits DPA Units	1	
<i>Tech Note: Incl 2 ea.: R108-0015, R115-7039, R119-4155, R120-5116, R120-5118, R120-5120, R3296-33, R3296-48 &amp; 4 ea: R106-5344:</i>					
12	<b>R110-9600</b>	110-9600	High HOC Kit	1	
<i>Tech Note: Includes 1 ea.: R120-0404, R120-0405 &amp; 2 ea: R112-7451, R322-16, R445722 &amp; 4 ea.: R106-9758, R104-8300, R453011, R104-8301 &amp; 8 ea: R106-3925:</i>					

## **Other Parts Available**

70	<b>R112-8935</b>	112-8935	Frame - Center - 27 in Unit	1	
70	<b>R112-8978</b>	112-8978	Frame - Center 32 in Unit	1	
71	<b>R115-4260</b>	115-4260	Plate- Side - LH Fits OEM Units Only	1	
72	<b>R115-4263</b>	115-4263	Plate- Side - RH - Fits OEM Units Only	1	

All original equipment manufacturers names and part numbers are used for identification purposes only, and we are in no way implying that our products are original equipment parts. Prices subject to change without notice.



# Replaces Toro Reelmaster 3100-D Parts

27in DPA Cutting Unit - Models 03180, 03181, 03182 & 03183

Reel & Bedknife



Item No	R&R Part No.	OEM Part No.	Description	Qty Req	Order Quantity
73	<b>R3231-25</b>	01-173-0610, 30-9970, 3231-25, 3231-3, 900064P	Bolt - Carriage 3/8-16 x 1-1/4	2	
74	<b>R112-8936</b>	112-8936	Tube- Support - 27 in Units	1	
74	<b>R112-8979</b>	112-8979	Tube - Support - 32 in Units	1	
75	<b>R112-8942</b>	112-8942	Front Grass Shield Assy - 27 in Units	1	
75	<b>R112-8983</b>	112-8983	Front Grass Shield Assy - 32 in Units	1	
76	<b>R112-8944-01</b>	112-8944-01	Rear Grass Shield Assy - 27 in Units	1	
76	<b>R112-8985-01</b>	112-8985-01	Rear Grass Shield Assy - 32 in Units	1	
77	<b>R110-4088-03</b>	110-4088-03, 119-8010-03	Kickstand	1	
78	<b>R110-4058</b>	110-4058	Bracket - Chain	1	
79	<b>R104-8301</b>	104-8301, 104-9301, 109-6658, 133-7570	Locknut - 3/8-16 Nylon Flanged	2	
80	<b>R107-7400</b>	107-7400	Pin - Lynch	1	
81	<b>R56-9520</b>	56-9520	Bushing - Nyliner	2	
82	<b>R110-1706</b>	110-1706	Deflector	6	
83	<b>R106-3924</b>	106-3924	Bracket - Rear Roller	2	
84	<b>R107-2952</b>	107-2952	Bracket - Front Roller	2	
85	<b>R107-4028</b>	105-6757, 107-4028	Seal - Grease	2	
86	<b>R93-2489</b>	93-2489	Bearing - Reel	2	

All original equipment manufacturers names and part numbers are used for identification purposes only, and we are in no way implying that our products are original equipment parts. Prices subject to change without notice.



# Replaces Toro Reelmaster 3100-D Parts

27in DPA Cutting Unit - Models 03180, 03181, 03182 & 03183

Reel & Bedknife



Item No	R&R Part No.	OEM Part No.	Description	Qty Req	Order Quantity
87	<b>R107-2954</b>	107-2954	Nut - Bearing Adjuster	1	
88	<b>R112-6967</b>	112-6967	O-Ring	2	
89	<b>R119-0614-01</b>	119-0614-01	Weight	1	
90	<b>R101526</b>	01-150-0970, 01-178-0620, 101526, 20-53-AGD, 321-11, 3224-8, 323-11, 323-12, 323-31, 323-4, 323-47	Bolt - Hex HD 3/8-16 x 2-1/2 GR5	2	
91	<b>R107-2979</b>	107-2979	Bolt - Shoulder	6	
92	<b>R3234-11</b>	3234-11	Bolt - Hex Washer HD	2	
93	<b>R112-8908-01</b>	112-8908-01	Bedbar - 27 in - Fits OEM Units Only	1	
94	<b>R119-4151</b>	119-4151	Screw - Bedknife 5/16-18 x 17/32	10	
94	<b>R150476</b>	3-3816, 3-6462, 52-4910, 57-4910	Screw - Bedknife 5/16-18 x 5/8	10	
95	<b>R108-4213</b>	108-4213	Bracket- HOC - LH - Groomer	1	
<i>Tech Note: 2010 Only:</i>					
95	<b>R120-0404</b>	120-0404	Bracket- High HOC - LH	1	
<i>Tech Note: Fits 2011 &amp; Newer:</i>					
96	<b>R3230-7</b>	25-33-AGD, 3230-9	Bolt - Carriage 5/16-18 x 2 1/2	4	
96	<b>R3230-26</b>	3230-26	Screw - Carriage 5/16-18 x 3	4	

All original equipment manufacturers names and part numbers are used for identification purposes only, and we are in no way implying that our products are original equipment parts. Prices subject to change without notice.



# Replaces Toro Reelmaster 3100-D Parts

27in DPA Cutting Unit - Models 03180, 03181, 03182 & 03183

Reel & Bedknife



Item No	R&R Part No.	OEM Part No.	Description	Qty Req	Order Quantity
97	<b>R106-9758</b>		Bolt - Carriage 5/16x4	4	
97	<b>R3230-30</b>	3230-30	Bolt - Carriage 5/16x4 1/2	4	
98	<b>R108-4214</b>	108-4214	Bracket-HOC - RH - Groomer	1	
<i>Tech Note: 2010 Only:</i>					
98	<b>R120-0405</b>	120-0405	Bracket - High HOC - RH	1	
<i>Tech Note: Fits 2011 &amp; Newer:</i>					
98	<b>R125-2796</b>	125-2796	Bracket- Front HOC	0	
<i>Tech Note: Fits 2013 &amp; Newer:</i>					
99	<b>R453011</b>	01-166-0100, 01-166-0120, 01-166-0270, 01-166-0500, 01-166-0600, 01-166-0620, 132-4593, 2356-3, 237-12, 24-10-AD, 24-11-AD, 24-11-BD, 24-12-AD, 24-12-BD, 30-9310, 32-8190, 3256-24, 3256-3, 3256-36, 3256-4, 453011, 47-9950, 48-9220, 513458, 7-0052	Washer - Flat 3/8 SAE Y/Zinc	4	
100	<b>R106-3925</b>	106-3925	Shim - 1/4 - Rear Roller HOC	8	
<i>Tech Note: 2010 Only:</i>					

All original equipment manufacturers names and part numbers are used for identification purposes only, and we are in no way implying that our products are original equipment parts. Prices subject to change without notice.



# Replaces Toro Reelmaster 3100-D Parts

27in DPA Cutting Unit - Models 03180, 03181, 03182 & 03183

Reel & Bedknife



Item No	R&R Part No.	OEM Part No.	Description	Qty Req	Order Quantity
100	<b>R119-0626</b>	119-0626	Shim - Roller - 1/4 in - Slotted	8	
<i>Tech Note: 2011 &amp; Newer:</i>					
101	<b>R3296-28</b>	119-4154, 140-9234, 32127-34, 32128-7, 32128-8, 32136-7, 3296-28	Nut - 1/2-20 ESNA Jam	4	
103	<b>R106-9623</b>	106-9623	Bolt - Bedbar	2	
104	<b>R3256-74</b>	3256-74	Washer - Flat	1	
105	<b>R106-9618</b>	106-9618	Bushing - Rubber	2	
106	<b>R94-2703</b>	94-2703	Plug - Plastic Spindle Housing	1	
107	<b>R16-9759</b>	16-9759	Link Assy	4	
108	<b>R93-6981</b>	93-6981	Spacer	8	
109	<b>R93-8806</b>	93-8806	Washer-Hardened	16	
110	<b>R106-5363</b>	106-5363	Shaft - Adjusting - Bed Bar - Stainless	2	
111	<b>R99-2096</b>	99-2096	Screw - Bed Bar Adjustment - M10 Thrd 1 End	2	
112	<b>R99-2097</b>	99-2097	Detent - Bed Bar Adjuster	2	
113	<b>R99-3755</b>	99-3755	Spring - Bed Bar Adjusting	2	
114	<b>R106-5344</b>	106-5344	Bushing - Flanged and Keyed	4	
115	<b>R99-2098</b>	99-2098	Washer - Bed Bar Adjuster	2	
116	<b>R3231-4</b>	01-157-0440, 01-173-0612, 3231-4	Bolt - Carriage 3/8-16 x 1-1/2	2	

All original equipment manufacturers names and part numbers are used for identification purposes only, and we are in no way implying that our products are original equipment parts. Prices subject to change without notice.



# Replaces Toro Reelmaster 3100-D Parts

27in DPA Cutting Unit - Models 03180, 03181, 03182 & 03183

Reel & Bedknife



Item No	R&R Part No.	OEM Part No.	Description	Qty Req	Order Quantity
117	<b>R322-16</b>	322-16, Apr-00	Bolt - Hex HD 5/16-18 x 1-1/8	2	
118	<b>R32120-93</b>	32120-93	Snap Ring - HD	2	
119	<b>R3296-33</b>	3296-33	Locknut - 5/8-18 ESNA Jam	12	
120	<b>R93-6688</b>	93-6688	Decal - Warning	1	
121	<b>R61-1950</b>	61-1950	Washer - Nylon - Bed Bar	4	
122	<b>R453017</b>	01-166-0050, 01-166-0240, 01-166-0800, 24-13-AD, 24-14-AD, 32-8110, 3256-26, 3256-6, 453017, 69-8980, 87-7270	Washer - Flat 1/2	2	
123	<b>R106-5335</b>	106-5335	Wave Washer - Reel Adjusting	2	
124	<b>R114-9396</b>	114-9396, 119-4067	Bolt - Hex HD 5/16-18 x 3/8	2	
125	<b>R33025-00</b>	32025-00, 33025-00	Locknut - 10mm x 1.5 Jam	2	
126	<b>R302-5</b>	21-6010, 302-11, 302-37, 302-47, 302-5, 302-57, 302-58, 302-6, 31-0300, 32-9660, 60-0800, 62-3880, 92-4181	Fitting - Grease	2	

All original equipment manufacturers names and part numbers are used for identification purposes only, and we are in no way implying that our products are original equipment parts. Prices subject to change without notice.





# Replaces Toro Reelmaster 3100-D Parts

27in DPA Cutting Unit - Models 03180, 03181, 03182 & 03183

Reel & Bedknife



Item No	R&R Part No.	OEM Part No.	Description	Qty Req	Order Quantity
127	<b>R92-2601</b>	92-2601	Snap Ring	2	
128	<b>R445722</b>	30-8980, 32128-2, 32128-20, 32128-20 , 445722	Nut - Serrated Washer	2	
129	<b>R170714</b>	302-34, 302-39, 62-3520	Fitting - Pressure Relief	2	
130	<b>R107-3275</b>	107-3275	Insert - Threaded - RH - 9 Tooth	1	
131	<b>R107-3276</b>	107-3276	Insert - Threaded - LH - 9 Tooth	1	
132	<b>R3234-7</b>	3234-7	Bolt - Hex Washer HD 5/16-18 x 5/8	4	
134	<b>R104-8300</b>	104-8300, 104-8300 , 119-4041	Locknut - 5/16-18 Flanged Y/Zinc	6	
135	<b>R112-7451</b>	100-9429, 112-7451	Bolt - Hex Tap 3/8-16 x 2-3/4	2	
135	<b>R107-4026</b>	107-4026	Bolt - Hex Tap 3/8-16 x 3-3/4	2	
136	<b>R322-14</b>	01-150-0830, 01-178-0524, 30-8900, 322-14	Bolt - Hex HD 5/16-18 x 3 GR5	1	
137	<b>R94-8945</b>	94-8945	Bushing - Bronze - Link Bar	8	
138	<b>R323-6</b>	01-150-0010, 01-178-0608, 20-47-AD, 20-47-AGD, 3224-2, 323-6, 49-3510, 908034P, 908332	Bolt - Hex HD 3/8-16 x 1 GR5 YZ	2	

All original equipment manufacturers names and part numbers are used for identification purposes only, and we are in no way implying that our products are original equipment parts. Prices subject to change without notice.



## Replaces Toro Reelmaster 3100-D Parts

27in DPA Cutting Unit - Models 03180, 03181, 03182 & 03183

Reel & Bedknife



Item No	R&R Part No.	OEM Part No.	Description	Qty Req	Order Quantity
140	<b>R107-7773</b>	107-7773	Bolt - Soc HD Cap 5/16-18 x 2-1/2	1	
141	<b>R107-7447</b>	107-7447	Set Screw - 1/4 x 1-1/4 Sq HD	2	
142	<b>R120-5118</b>	120-5118	Shaft - Adjuster	2	
<i>Tech Note: 2012 &amp; Newer:</i>					
143	<b>R120-5116</b>	120-5116	Washer - Wave	2	
144	<b>R108-0015</b>	108-0015	Washer - Flat	2	
145	<b>R119-4155</b>	119-4155	Washer - Hardened	2	
146	<b>R120-5120</b>	120-5120	Spring - Compression	2	
147	<b>R3296-48</b>	119-4039, 32146-7, 3296-34, 3296-48	Locknut - 7/16-14 ESNA	2	
148	<b>R115-7039</b>	115-7039	Screw - Adjuster - Bedbar	2	

All original equipment manufacturers names and part numbers are used for identification purposes only, and we are in no way implying that our products are original equipment parts. Prices subject to change without notice.