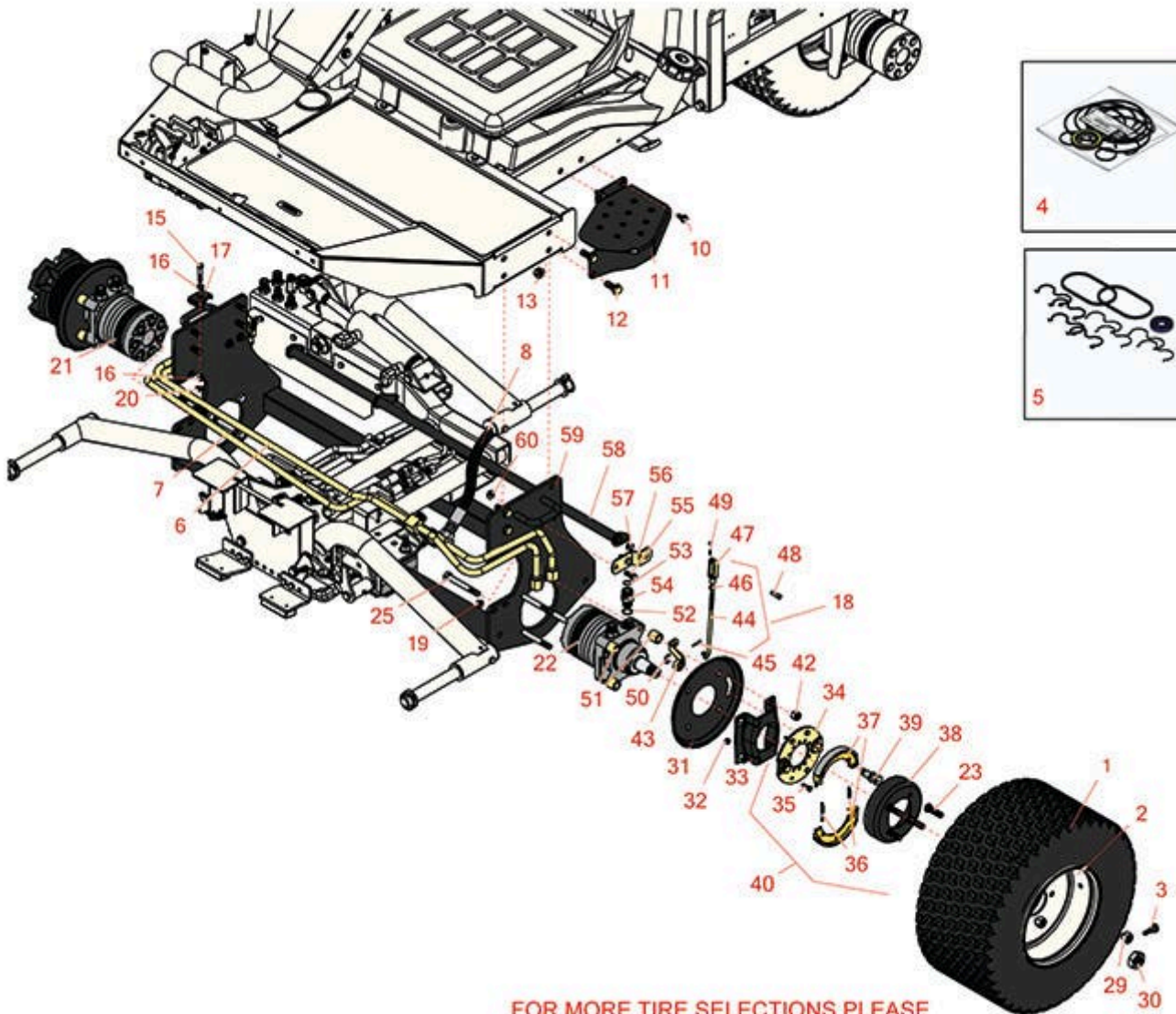




Replaces Toro Groundsmaster 3505-D Parts

*Traction Unit - Model 30826 & 30849
Front Wheel & Brake*



FOR MORE TIRE SELECTIONS PLEASE
CLICK ON TIRE ICON ABOVE

All original equipment manufacturers names and part numbers are used for identification purposes only, and we are in no way implying that our products are original equipment parts. Prices subject to change without notice.



Replaces Toro Groundsmaster 3505-D Parts

*Traction Unit - Model 30826 & 30849
Front Wheel & Brake*



Item No	R&R Part No.	OEM Part No.	Description	Qty Req	Order Quantity
Tires					
1	RCT575315	117-5125	Tire - 20x12.00-10 Nhs (4 Ply) Carlisle Turf Trac R/S	2	
2	R104-0452	104-0452	Rim - Wheel 10 x 9 3/4	2	
2	R117-5126	117-5126	Rim - Wheel 10 x 10	2	
3	R232-27	232-27, 232-31	Stem - Valve w/ Cap	2	
Overhaul Kits and Service Tools					
4	R76-0800	100-6131, 76-0800, 94-8178	Seal Kit - Hyd Wheel Motor	1	
5	R107-7819	107-7819	Seal Kit - Fits R105-9872 Hyd Motor	1	
Hoses					
6	R105-1214	105-1214, 95-8834	Hydraulic Hose Assy	1	
7	R95-8783	95-8783	Tube Assy	1	
8	R95-8784	95-8784	Tube Assy	1	
Other Parts Available					
10	R3234-5	3234-5, 62-3310	Bolt - 5/16-18x3/4 Hx Ser Was HD	2	
11	R99-3375-03	99-3375, 99-3375-03	Step	1	
12	R3234-38	3234-38	Bolt - Flanged Hex 1/2-13 x 1-1/4	4	
13	R32128-49	32128-49	Nut - 1/2-13 Hex Flange	4	
15	R19H3130	322-9, 3223-5	Bolt - Hex HD 5/16-18 x 1-3/4	2	

All original equipment manufacturers names and part numbers are used for identification purposes only, and we are in no way implying that our products are original equipment parts. Prices subject to change without notice.



Replaces Toro Groundsmaster 3505-D Parts

Traction Unit - Model 30826 & 30849
Front Wheel & Brake



Item No	R&R Part No.	OEM Part No.	Description	Qty Req	Order Quantity
16	R453009	01-166-0400, 24-10-BD, 24-9-AD, 32-9650, 3256-2, 3256-23, 3256-3, 3256-67, 3290-217, 3556-3, 4-2390, 7-0152	Washer - Flat 5/16 SAE	4	
17	R56-7971	56-7971	Clamp - Tube	4	
18	R115-6672	115-6672	Brake Lever Assy	2	
19	R104-8301	104-8301, 104-9301, 109-6658, 133-7570	Locknut - 3/8-16 Nylon Flanged	4	
20	R3296-29	1-804256, 3290-357, 3296-29, 915662P	Locknut - 5/16-18 ESNA	2	
21	R110-8786	110-8786, 95-8693	Hydraulic Motor - RH Wheel	1	
22	R110-8785	110-8785	Hydraulic Motor - LH Wheel	1	
<i>Tech Note: Fits all Models 2007 & Newer:</i>					
22	R75-9990	75-9990	Hydraulic Motor - Wheel	1	
<i>Tech Note: Fits Models 30826-2006 Only:</i>					
23	R10-6830	10-6830, 75-9440	Stud - Wheel 1/2-20 x 1 3/4	8	
25	R3274-99	3274-99	Bolt - Hx Soc HD	8	
29	R242-50	242-50	Nut - 1/2-20 Wheel	8	

All original equipment manufacturers names and part numbers are used for identification purposes only, and we are in no way implying that our products are original equipment parts. Prices subject to change without notice.



Replaces Toro Groundsmaster 3505-D Parts

*Traction Unit - Model 30826 & 30849
Front Wheel & Brake*



Item No	R&R Part No.	OEM Part No.	Description	Qty Req	Order Quantity
30	R26-3790	26-3790	Nut - Hex - Wheel Motor 1-20	2	
31	R104-0485-03	104-0485-03	Shield - Wheel	2	
32	R301504	2296-42, 301504, 32127-24, 32128-33, 32146-17, 3296-16, 3296-42, 3296-42 , 915661P	Locknut - ESNA 1/4-20	8	
33	R84-2000-03	84-2000, 84-2000-03	Bracket - Brake	2	
34	R70-9870	70-9870	Plate - Backing	2	
35	R321-5	321-31, 321-5	Bolt - Hex HD 1/4-20 x 7/8	8	
36	R70-9880	70-9880	Spring - Brake Shoe	4	
37	R70-9840	70-9840	Shoe - Brake	4	
38	R10-6850	10-6850	Drum - Brake	2	
39	R104-7707	104-7707, 104-7708, 70-9850, 70-9860	Cam - Brake	2	
40	R71-1500	104-7705, 71-1500	Brake Assy	2	
42	RF5003	32127-29, 32131-5, 32132-5, 3296-23	Locknut - ESNA 1/2-13	8	
43	R93-6850	114-2726, 93-6850	Lever - Brake	2	
44	R104-4627	104-4627	Rod - Adjusting	2	

All original equipment manufacturers names and part numbers are used for identification purposes only, and we are in no way implying that our products are original equipment parts. Prices subject to change without notice.



Replaces Toro Groundsmaster 3505-D Parts



*Traction Unit - Model 30826 & 30849
Front Wheel & Brake*

Item No	R&R Part No.	OEM Part No.	Description	Qty Req	Order Quantity
45	R1023-4	01-151-0150, 1023-4, 19-6220, 214-14, 215-54, 28-9-D, 3272-4, 3272-6, 513567, 932008P	Pin - Cotter 3/32 x 3/4	2	
46	R3220-2	01-191-0524, 3220-2	Nut - Jam - 5/16-24	2	
47	R282-2	1-303105, 282-2	Yoke	2	
48	R283-1	283-1, 283-13	Pin - Clevis	2	
49	R3272-10	01-151-0120, 105-7512, 3272-10, N/A	Pin - Cotter 1/8 x 3/4	2	
50	R150513	104-7706	E - Clip - Brake Assy	2	
51	R92-1715	100005, 92-1715	Spacer	8	
52	R237-80	237-80, 327-80	O-Ring	4	
53	R237-65	237-65, 237.65	O-Ring	4	
54	R340-7	340-7	Adapter	4	
55	R3234-11	3234-11	Bolt - Hex Washer HD	4	
56	R95-8683	95-8683	Bracket - Pivot	2	
57	R256-156	256-156, 256-219	Bushing - Flanged	2	

All original equipment manufacturers names and part numbers are used for identification purposes only, and we are in no way implying that our products are original equipment parts. Prices subject to change without notice.



Replaces Toro Groundsmaster 3505-D Parts

*Traction Unit - Model 30826 & 30849
Front Wheel & Brake*



Item No	R&R Part No.	OEM Part No.	Description	Qty Req	Order Quantity
58	R104-4625-03	104-4625-03	Brake Pivot Shaft	1	
59	R95-8568-03	95-8568, 95-8568-03	Frame - Lower	1	
60	R32128-43	30-8990, 32128-43, 3290-357	Nut - Flanged Whiz - 3/8-16	4	

All original equipment manufacturers names and part numbers are used for identification purposes only, and we are in no way implying that our products are original equipment parts. Prices subject to change without notice.