

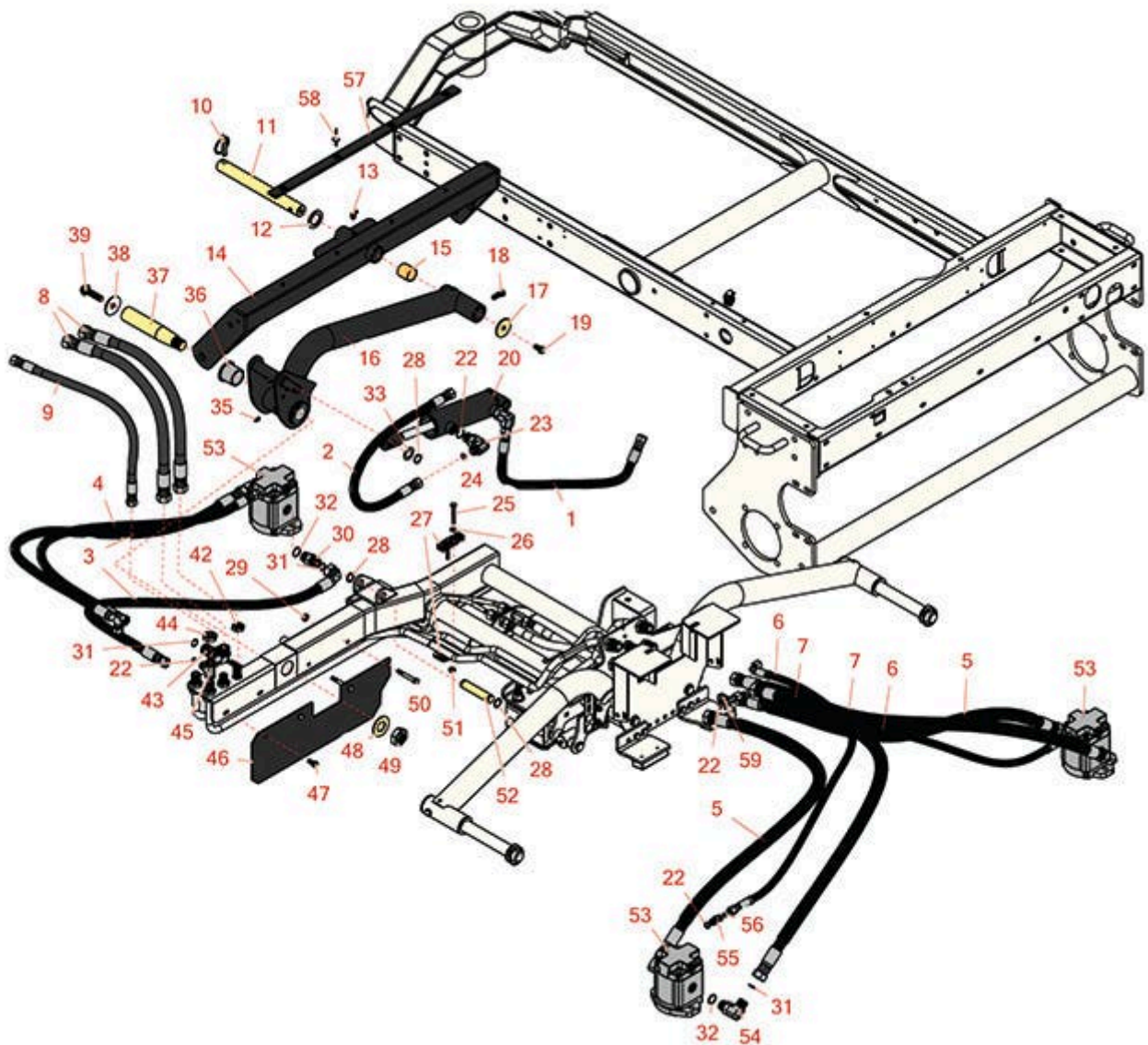


# Replaces Toro Groundsmaster 3505-D

## Parts

*Traction Unit - Model 30826 & 30849*

*Rear Lift & Motors*



All original equipment manufacturers names and part numbers are used for identification purposes only, and we are in no way implying that our products are original equipment parts. Prices subject to change without notice.



# Replaces Toro Groundsmaster 3505-D Parts

*Traction Unit - Model 30826 & 30849  
Rear Lift & Motors*



Item No	R&R Part No.	OEM Part No.	Description	Qty Req	Order Quantity
<b>Hoses</b>					
1	<b>R104-0407</b>	104-0407	Hydraulic Hose Assy	1	
2	<b>R99-3579</b>	99-3579	Hydraulic Hose Assy	1	
3	<b>R100-4880</b>	100-4880	Hydraulic Hose Assy	2	
4	<b>R100-4876</b>	100-4876	Hydraulic Hose Assy	1	
5	<b>R105-1216</b>	105-1216	Hydraulic Hose Assy	2	
6	<b>R104-1080</b>	104-1080	Hydraulic Hose Assy	2	
7	<b>R105-1215</b>	105-1215	Hydraulic Hose Assy	2	
8	<b>R108-9004</b>	108-9004	Hydraulic Hose Assy	2	
9	<b>R115-3412</b>	115-3412	Hydraulic Hose Assy	1	
<b>Other Parts Available</b>					
10	<b>R283-71</b>	283-71	Pin - Lynch Heavy Duty	1	
11	<b>R100-4944</b>	100-4944	Shaft - Pivot - 10.4 in Hardened	1	
12	<b>R3-6781</b>	3-6781	Washer - Thrust - Castor Wheel	1	
13	<b>R302-60</b>	302-60	Zerk - Grease 90 Deg.	1	
14	<b>R104-4229</b>	104-4229	Rear Carrier Frame	1	
15	<b>R108-4000</b>	108-4000	Bushing	2	
16	<b>R115-3473</b>	100-4938, 115-3473	Lift Arm Assy - Rear	1	
17	<b>R63-7400</b>	63-7400	Washer - Rebound	1	

All original equipment manufacturers names and part numbers are used for identification purposes only, and we are in no way implying that our products are original equipment parts. Prices subject to change without notice.



# Replaces Toro Groundsmaster 3505-D Parts

*Traction Unit - Model 30826 & 30849  
Rear Lift & Motors*



Item No	R&R Part No.	OEM Part No.	Description	Qty Req	Order Quantity
18	<b>R323-6</b>	01-150-0010, 01-178-0608, 20-47-AD, 20-47-AGD, 3224-2, 323-6, 49-3510, 908034P, 908332	Bolt - Hex HD 3/8-16 x 1 GR5 YZ	1	
19	<b>R400258</b>	01-150-0800, 01-178-0600, 01-178-0606, 20-45-AD, 31-0200, 31-9910, 3224-1, 323-4, 400258	Bolt - Hex HD 3/8-16 x 3/4	1	
20	<b>R112-9916</b>	108-9033, 112-9916	Hydraulic Cylinder	1	
22	<b>R237-22</b>	107-8844, 237-22, 237-78	O-Ring	13	
23	<b>R340-77</b>	340-100, 340-77, 95-7889	Hydraulic Fitting	2	
24	<b>R237-42</b>	237-42, 31-4160	O-Ring	2	
25	<b>R400120</b>	01-150-0990, 01-178-0416, 02-150-0990, 321-11, 3222-4, 33114-010, 33114-060, 513327, 908470	Bolt - Hex HD 1/4-20 x 2	2	

All original equipment manufacturers names and part numbers are used for identification purposes only, and we are in no way implying that our products are original equipment parts. Prices subject to change without notice.



# Replaces Toro Groundsmaster 3505-D Parts

*Traction Unit - Model 30826 & 30849  
Rear Lift & Motors*



Item No	R&R Part No.	OEM Part No.	Description	Qty Req	Order Quantity
26	<b>R3256-22</b>	24-9-BD, 3-1032, 3256-1, 3256-22, 93-0954, 93-0989	Washer - Flat 1/4 Yellow	2	
27	<b>R99-3641</b>	99-3641	Clamp - Tube	2	
28	<b>R32120-93</b>	32120-93	Snap Ring - HD	3	
29	<b>R445722</b>	30-8980, 32128-2, 32128-20, 32128-20, 445722	Nut - Serrated Washer	2	
30	<b>R340-7</b>	340-7	Adapter	1	
31	<b>R237-65</b>	237-65, 237.65	O-Ring	4	
32	<b>R237-80</b>	237-80, 327-80	O-Ring	4	
33	<b>R3-6498</b>	3--6498, 3-6498, 47-8270	Washer - Thrust	1	
35	<b>R302-5</b>	21-6010, 302-11, 302-37, 302-47, 302-5, 302-57, 302-58, 302-6, 31-0300, 32-9660, 60-0800, 62-3880, 92-4181	Fitting - Grease	3	
36	<b>R69-6470</b>	69-6470	Bushing - Flanged	2	

All original equipment manufacturers names and part numbers are used for identification purposes only, and we are in no way implying that our products are original equipment parts. Prices subject to change without notice.



# Replaces Toro Groundsmaster 3505-D Parts

*Traction Unit - Model 30826 & 30849  
Rear Lift & Motors*



Item No	R&R Part No.	OEM Part No.	Description	Qty Req	Order Quantity
37	<b>R95-8990</b>	95-8990	Shaft - Pivot - Rear	1	
38	<b>R75-7730</b>	75-7730	Washer - Thrust	1	
39	<b>R3234-27</b>	3234-27	Bolt - 1/2-13 x 2 Hex	1	
42	<b>R340-70</b>	340-70	Nut - Lock	2	
43	<b>R340-72</b>	340-72, 96-0865	Fitting-Bulkhead,	1	
44	<b>R340-74</b>	340-74	Locknut - Bulkhead	2	
45	<b>R340-68</b>	340-120, 340-68	Fitting - Tee - Bulkhead	2	
46	<b>R104-0453-03</b>	104-0453-03, 95-8591-03	Guard	1	
47	<b>R322-3</b>	01-150-1420, 01-178-0506, 20-24-AD, 20-24-AGD, 322-3, 48-9270, 513339, 908017P	Bolt - Hex HD 5/16-18 x 3/4	2	
48	<b>R86-1480</b>	86-1480	Washer - 1 3/4 x 1 x 3/16	1	
49	<b>R3220-9</b>	3220-9	Nut-Jam	1	
50	<b>R322-12</b>	01-150-0730, 01-178-0520, 322-12	Bolt - 5/16-18 x 2 1/2 Hx HD	2	
51	<b>R301504</b>	2296-42, 301504, 32127-24, 32128-33, 32146-17, 3296-16, 3296-42, 3296-42 , 915661P	Locknut - ESNA 1/4-20	2	

All original equipment manufacturers names and part numbers are used for identification purposes only, and we are in no way implying that our products are original equipment parts. Prices subject to change without notice.



# Replaces Toro Groundsmaster 3505-D Parts

*Traction Unit - Model 30826 & 30849  
Rear Lift & Motors*



Item No	R&R Part No.	OEM Part No.	Description	Qty Req	Order Quantity
52	<b>R95-8575</b>	95-8575	Pin	1	
53	<b>R117-5141</b>	105-9820, 105-9872, 117-5141	Hydraulic Motor	3	
54	<b>R340-17</b>	340-17	No 10 Male Orfs x No 10 Male Orb	5	
55	<b>R340-92</b>	340-92	Hydraulic Fitting - Striaight	3	
56	<b>R237-21</b>	237-21, 327-21	O-Ring	3	
57	<b>R95-8936</b>	95-8936	Strip - Wear	1	
58	<b>R3269-18</b>	3269-18	Rivet - Pop 3/16 Large Flange	4	
59	<b>R99-3477</b>	99-3477	Fitting-Tee	1	

All original equipment manufacturers names and part numbers are used for identification purposes only, and we are in no way implying that our products are original equipment parts. Prices subject to change without notice.