

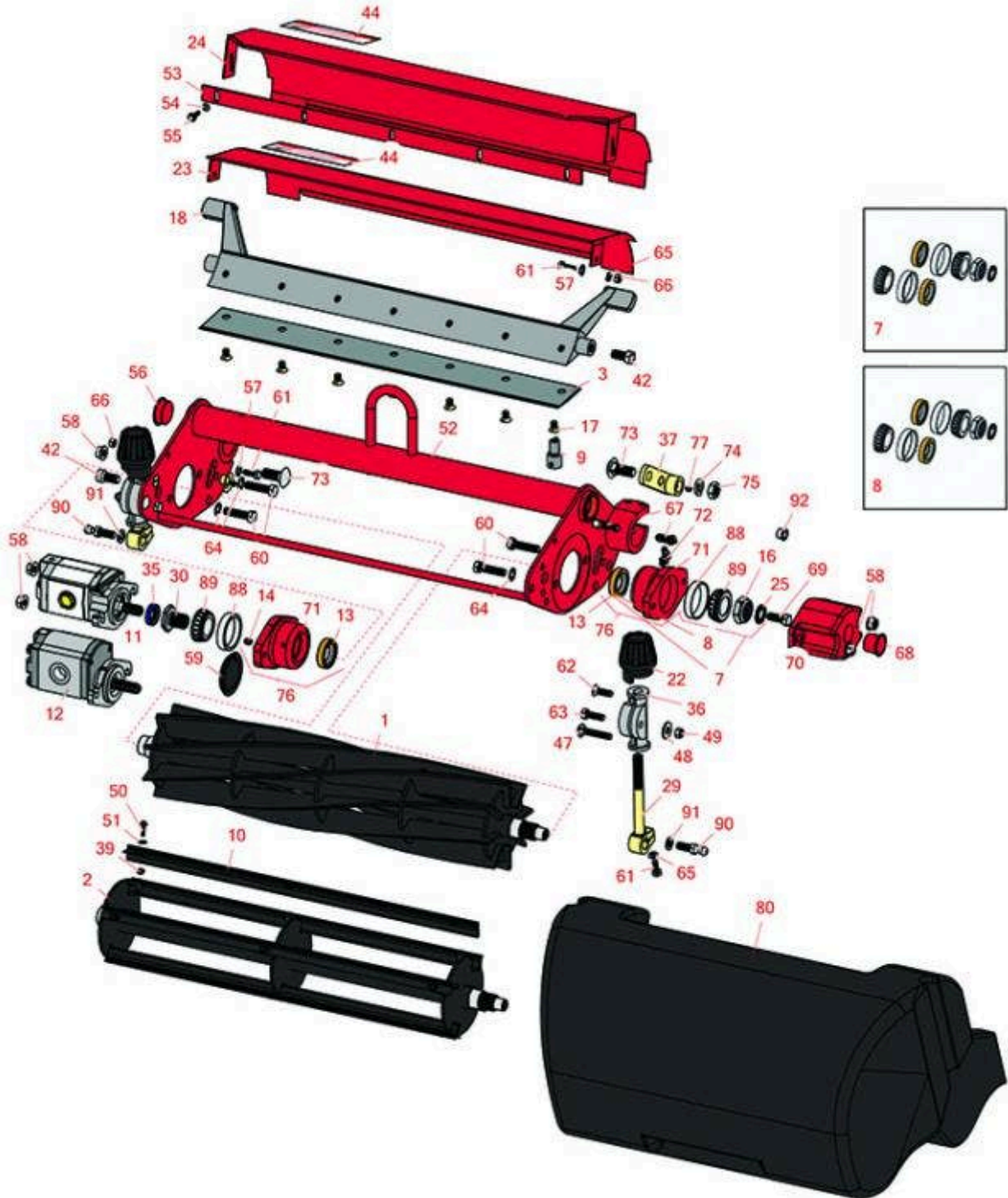


# Replaces Toro Greensmaster 3000 Parts

4-Bolt Cutting Unit - Models 04404, 04405, 04406, 04407,

04408 & 04409

Reel & Bedknife



All original equipment manufacturers names and part numbers are used for identification purposes only, and we are in no way implying that our products are original equipment parts. Prices subject to change without notice.



# Replaces Toro Greensmaster 3000 Parts

4-Bolt Cutting Unit - Models 04404, 04405, 04406, 04407,

04408 & 04409

Reel & Bedknife



Item No	R&R Part No.	OEM Part No.	Description	Qty Req	Order Quantity
<b>R&amp;R Reels, Lifetime Guaranteed</b>					
1	<b>R5-3200</b>	5-3200	Reel - 4 Blade	1	
1	<b>R5-3205</b>	12-0729, 12-8779, 5-3205	Reel - 5 Blade	1	
1	<b>R5-3215</b>	5-3215	Reel - 5 Blade Heavy Duty	1	
1	<b>R14-0659</b>	14-0659, 57-5300	Reel - 5 Blade Heavy Duty	1	
1	<b>R5-3206</b>	5-3206	Reel - 6 Blade	1	
1	<b>R5-3189</b>	12-3599, 130-6469, 5-3189	Reel - 8 Blade	1	
1	<b>R14-0649</b>	14-0649	Reel - 8 Blade Heavy Duty	1	
1	<b>R5-3189H</b>		Reel - 8 Blade Heavy Duty	1	
1	<b>R5-3195</b>	5-3195	Reel - 9 Blade	1	
1	<b>R12-2789</b>	12-2789, 130-6470	Reel - 11 Blade	1	
1	<b>R150760</b>		Reel - 14 Blade	1	
2	<b>R150480</b>		Brush Reel	1	
<b>R&amp;R Bedknives, Lifetime Guaranteed</b>					
3	<b>R150462</b>	63-8610, 94-6396	Bedknife - 7 Hole Thick 5/16	1	
3	<b>R93-4262</b>	65-8250, 93-4262, 93-4263	Bedknife - Micro Cut .062 - .187 HOC	1	

All original equipment manufacturers names and part numbers are used for identification purposes only, and we are in no way implying that our products are original equipment parts. Prices subject to change without notice.



# Replaces Toro Greensmaster 3000 Parts

4-Bolt Cutting Unit - Models 04404, 04405, 04406, 04407,  
04408 & 04409  
Reel & Bedknife



Item No	R&R Part No.	OEM Part No.	Description	Qty Req	Order Quantity
3	<b>R94-6394</b>	51-2610, 63-8550, 94-6394	Bedknife - Tournament 1/8-1/2 HOC	1	
3	<b>R63-8610</b>	63-8610	Bedknife - Fairway Cut .375 - 1.00 HOC	1	
3	<b>R94-6395</b>	17-7040, 19-8880, 62-2510, 63-8500, 94-6395	Bedknife - Low Cut 3/16"-1" HOC	1	
3	<b>R94-6396</b>	10-4900, 54-9150, 94-6396, Oct-00	Bedknife - High Cut 5/16"-1" HOC	1	

## **R&R Razor Tool Steel Bedknives, Lifetime Guaranteed**

3	<b>R115-1881</b>	115-1881	Bedknife - Razor Tool Steel - 21 Tournament Cut .125 - .500 HOC	1	
---	------------------	----------	---	---	--

*Tech Note: Razor Tool Steel Bedknives are constructed from high grade tool steel for extended life and optimum cut.:*

3	<b>R115-1880</b>	115-1880	Bedknife - Razor Tool Steel - 21 Micro Cut .062 - .187 HOC	1	
---	------------------	----------	--	---	--

*Tech Note: Razor Tool Steel Bedknives are constructed from high grade tool steel for extended life and optimum cut.:*

## **Overhaul Kits & Service Tools**

7	<b>R255-300</b>	107-1590	Overhaul Kit - Cutting Unit	0	
---	-----------------	----------	-----------------------------	---	--

*Tech Note: Includes 2 ea: R253-96 Seals, R254-72 Cups, R254-94 Bearings; 1 ea: R253-61 Seal, R32127-46 Locknut:*

8	<b>R107-1598</b>	107-1598	Overhaul Kit - Cutting Unit	0	
---	------------------	----------	-----------------------------	---	--

*Tech Note: Includes 2 ea.: R104-3388 Seals, R254-72 Bearing Cups & R254-94 Bearings; 1 ea: R253-61 Seal & R32127-46 Locknut:*

9	<b>R51-0880</b>	51-0880	Bedknife Screw Driver Tool	0	
---	-----------------	---------	----------------------------	---	--

All original equipment manufacturers names and part numbers are used for identification purposes only, and we are in no way implying that our products are original equipment parts. Prices subject to change without notice.



# Replaces Toro Greensmaster 3000 Parts

4-Bolt Cutting Unit - Models 04404, 04405, 04406, 04407,

04408 & 04409

Reel & Bedknife



Item No	R&R Part No.	OEM Part No.	Description	Qty Req	Order Quantity
<b>Other Parts Available</b>					
10	<b>R150481</b>		Brush Assy - Brush Reel	4	
11	<b>R105-9770</b>	10-5090, 105-9770, 26-5690, 70-9800, 94-3506, 94-3507	Hydraulic Motor - Reel Quick Release	1	
<i>Tech Note: Fits Models 3000,3050 &amp; 3100:</i>					
12	<b>R120-2072</b>	100-6426, 108-6487, 112-9200, 120-2072, 93-1375	Hydraulic Gear Motor	1	
<i>Tech Note: Fits Models 3150 &amp; 3250-D:</i>					
13	<b>R253-96</b>	253-96	Seal - Oil Single Lip Reel	2	
13	<b>R104-3388</b>	104-3388	Seal - Double Lip Bearing Housing	2	
14	<b>R302-5</b>	21-6010, 302-11, 302-37, 302-47, 302-5, 302-57, 302-58, 302-6, 31-0300, 32-9660, 60-0800, 62-3880, 92-4181	Fitting - Grease	6	
16	<b>R32127-46</b>	32127-46, 3296-60	Locknut	1	
17	<b>R150475</b>	3-6462, 3-6642	Screw - Bedknife Stainless 5/16-18 x 5/8	7	

All original equipment manufacturers names and part numbers are used for identification purposes only, and we are in no way implying that our products are original equipment parts. Prices subject to change without notice.



# Replaces Toro Greensmaster 3000 Parts

4-Bolt Cutting Unit - Models 04404, 04405, 04406, 04407,

04408 & 04409

Reel & Bedknife



Item No	R&R Part No.	OEM Part No.	Description	Qty Req	Order Quantity
<i>Tech Note: Pre-Packaged in bags of 50:</i>					
17	<b>R150476</b>	3-3816, 3-6462, 52-4910, 57-4910	Screw - Bedknife 5/16-18 x 5/8	7	
17	<b>R150477</b>	57-4910	Screw - Bedknife 5/16-18 x 1/2	7	
18	<b>R10-4930</b>	10-4930, 10-4930-01	Bed Bar	1	
22	<b>R65-8600</b>	10-5040, 65-8600	Knob - Height Adjusting	2	
23	<b>R27-2620</b>	27-2620, Oct-40	Shield - Grass Deflector	1	
24	<b>R36-7190</b>	36-7190	Deflector - Grass	1	
25	<b>R253-61</b>	253-61	Seal - Oil Reel	1	
29	<b>R10-5010</b>	10-5010	Screw - Roller Adjustment	2	
30	<b>R10-5100</b>	10-5100	Nut - Splined 1-1/8 Long	1	
30	<b>R77-0560</b>	77-0560	Nut - Splined Fits Groomer	1	
30	<b>R93-1394</b>	93-1394	Nut - Splined RH Thrd .812 Long	1	
35	<b>R353-585</b>	353-585, 353-587, 354-34, 72-4380, 75-1210, 75-1270, 92-8863, 92-8864	Seal - High Pressure - Reel Motor	1	
36	<b>R10-5060</b>	10-5060	Bracket - Roller Adj	2	
37	<b>R27-2650</b>	27-2650	Height Adjustment Assy	2	

All original equipment manufacturers names and part numbers are used for identification purposes only, and we are in no way implying that our products are original equipment parts. Prices subject to change without notice.



# Replaces Toro Greensmaster 3000 Parts

4-Bolt Cutting Unit - Models 04404, 04405, 04406, 04407,

04408 & 04409

Reel & Bedknife



Item No	R&R Part No.	OEM Part No.	Description	Qty Req	Order Quantity
39	<b>R3296-9</b>	32127-17, 3296-9	Locknut - Comb	12	
42	<b>R315298</b>	217-74, 31-1070	Bolt - Bed Bar	2	
44	<b>R354083</b>	104-7729, 354083	Decal - Danger	1	
47	<b>R441674</b>	01-173-0514, 01-173-0516, 3-7253, 3230-5	Screw - 5/16-18 x 1-3/4 Carriage	2	
48	<b>R453009</b>	01-166-0400, 24-10-BD, 24-9-AD, 32-9650, 3256-2, 3256-23, 3256-3, 3256-67, 3290-217, 3556-3, 4-2390, 7-0152	Washer - Flat 5/16 SAE	6	
49	<b>R32153-3</b>	119-4038, 22-12-AJFD, 32127-35, 32146-5, 32153-3, 3296-18, 3296-29, 3296-31, N/A	Locknut - 5/16-18 ESNA Zinc	2	
50	<b>R150425</b>		Bolt - Hex HD 8-32 x 5/8	12	
51	<b>R150426</b>	3256-21	Washer - 8 SAE	12	
52	<b>R70-1100</b>	36-7230, 70-1100, 70-1100-01	Frame	1	

All original equipment manufacturers names and part numbers are used for identification purposes only, and we are in no way implying that our products are original equipment parts. Prices subject to change without notice.



# Replaces Toro Greensmaster 3000 Parts

4-Bolt Cutting Unit - Models 04404, 04405, 04406, 04407,

04408 & 04409

Reel & Bedknife



Item No	R&R Part No.	OEM Part No.	Description	Qty Req	Order Quantity
53	<b>R36-7260</b>	36-7260	Bar - Cut Off Grass Shield	1	
54	<b>R3256-14</b>	24-7-BD, 32125-2, 3256-14, 3256-51, 51-2170	Washer - 10 Flat	5	
55	<b>R3290-237</b>	3290-237	Screw - Hx Washer HD 10-24	5	
55	<b>R32144-73</b>	104-2065, 32144-73	Screw - Machine Hex Washer Head	5	
56	<b>R285-14</b>	285-14	Plug - Pipe Frame	2	
57	<b>R3255-8</b>	3255-8	Washer - Lock 5/16 Ext	2	
58	<b>R3296-39</b>	32127-25, 32128-36, 3290-357, 3296-17, 3296-22, 3296-39, 915663P, 99-7443	Locknut - 3/8-16 Nylon	2	
59	<b>R150485</b>	2410-30, 2410-30OSS	Cap - Protective Bearing Housing	1	
60	<b>R3290-316</b>	3290-316, 57-3210	Bolt - Hex Tap 3/8-16 x 1-1/2	4	
60	<b>R323-53</b>	323-53, 57-3210	Bolt - Hex HD 3/8-16 x 1-3/4	4	
61	<b>R321-4</b>	01-150-1030, 01-178-0406, 20-3-AGD, 321-4, 3222-1	Bolt - Hex HD 1/4-20 x 3/4	4	
61	<b>R321-5</b>	321-31, 321-5	Bolt - Hex HD 1/4-20 x 7/8	2	

All original equipment manufacturers names and part numbers are used for identification purposes only, and we are in no way implying that our products are original equipment parts. Prices subject to change without notice.



# Replaces Toro Greensmaster 3000 Parts

4-Bolt Cutting Unit - Models 04404, 04405, 04406, 04407,

04408 & 04409

Reel & Bedknife



Item No	R&R Part No.	OEM Part No.	Description	Qty Req	Order Quantity
62	<b>R32108-20</b>	32108-20	Screw - Flat HD Cntrsunk	2	
63	<b>R322-5</b>	01-178-0508, 20-26-AD, 20-26-AGD, 30-9000, 322-5, 513341, 519755, 908019P, N/A	Bolt - Hex HD 5/16-18 x 1	2	
64	<b>R3255-9</b>	3255-9	Washer - Lock 3/8 Ext. Star	4	
65	<b>R3253-3</b>	01-166-0070, 01-166-0410, 23-9-GD, 24-7150, 3253-3, 3256-1, 352-167	Washer - Lock 1/4	4	
66	<b>R443102</b>	01-188-0420, 22-11-AJD, 3217-5, 33024-00	Nut - 1/4-20 Yellow Zinc	2	
66	<b>R301504</b>	2296-42, 301504, 32127-24, 32128-33, 32146-17, 3296-16, 3296-42, 3296-42, 915661P	Locknut - ESNA 1/4-20	2	
67	<b>R3243-13</b>	3243-13	Screw - Bed Bar Adjusting	4	
68	<b>R12-0460</b>	12-0460	Caplug - End Cap	1	
69	<b>R323-2</b>	01-178-0604, 323-2	Bolt - Hex HD 3/8-16 x 1	1	

All original equipment manufacturers names and part numbers are used for identification purposes only, and we are in no way implying that our products are original equipment parts. Prices subject to change without notice.





# Replaces Toro Greensmaster 3000 Parts

4-Bolt Cutting Unit - Models 04404, 04405, 04406, 04407,  
04408 & 04409  
Reel & Bedknife



Item No	R&R Part No.	OEM Part No.	Description	Qty Req	Order Quantity
70	<b>R10-5080</b>	10-5080, 10-5080-01	End - Cap Reel Brg Housing	1	
71	<b>R10-5120</b>	10-5120	Housing - Bearing Reel	2	
<i>Tech Note: Includes R253-96 &amp; R254-72:</i>					
72	<b>R302-40</b>	302-13, 302-40	Fitting - Grease	1	
73	<b>R325-5</b>	01-150-0250, 01-178-0810, 19-8000, 20-86-AGD, 3226-1, 325-5, 513375	Bolt - Hex HD 1/2-13 x 1-1/4	2	
73	<b>R3233-26</b>	3233-26	Bolt - Carriage 1/2-13 x 1-1/4	2	
74	<b>R3253-7</b>	01-166-0030, 01-166-0080, 01-166-0290, 01-166-0810, 23-13-GD, 3253-7, 48-9380	Washer - Lock 1/2	2	
75	<b>R443118</b>	01-188-0813, 22-15-AJD, 3217-9	Nut - 1/2-13 Zinc	2	
76	<b>R104-3399</b>	104-3399	Housing Assy - Bearing Reel	2	
77	<b>R3290-125</b>	3290-125	Screw - Set 1/4-20 x 5/16	2	
80	<b>R36-7250</b>	22-7070, 36-7250, 37-8130, Oct-30	Grass Basket	3	

All original equipment manufacturers names and part numbers are used for identification purposes only, and we are in no way implying that our products are original equipment parts. Prices subject to change without notice.



# Replaces Toro Greensmaster 3000 Parts

4-Bolt Cutting Unit - Models 04404, 04405, 04406, 04407,

04408 & 04409

Reel & Bedknife



Item No	R&R Part No.	OEM Part No.	Description	Qty Req	Order Quantity
88	<b>R254-72</b>	01-103-0050, 01-103-0120, 01-103-0140, 1-543508, 254-71, 254-72, 40439, 62-3340, 99-4511	Cup - Bearing	2	
89	<b>R254-94</b>	1-543509, 254-94, 32-8090, 32-8240, 32-9640, 40440, 62-3330	Tapered Bearing Cone	2	
90	<b>R94-2958</b>	94-2958	Stud - Alloy Ball Joint	2	
91	<b>R3254-6</b>	01-166-0010, 01-166-0280, 01-166-0610, 3253-5, 3254-18, 3254-6, 3290-223, 48-9370	Washer - Lock 3/8	2	
92	<b>R256-116</b>	256-116	Bushing - Flanged	4	

All original equipment manufacturers names and part numbers are used for identification purposes only, and we are in no way implying that our products are original equipment parts. Prices subject to change without notice.