

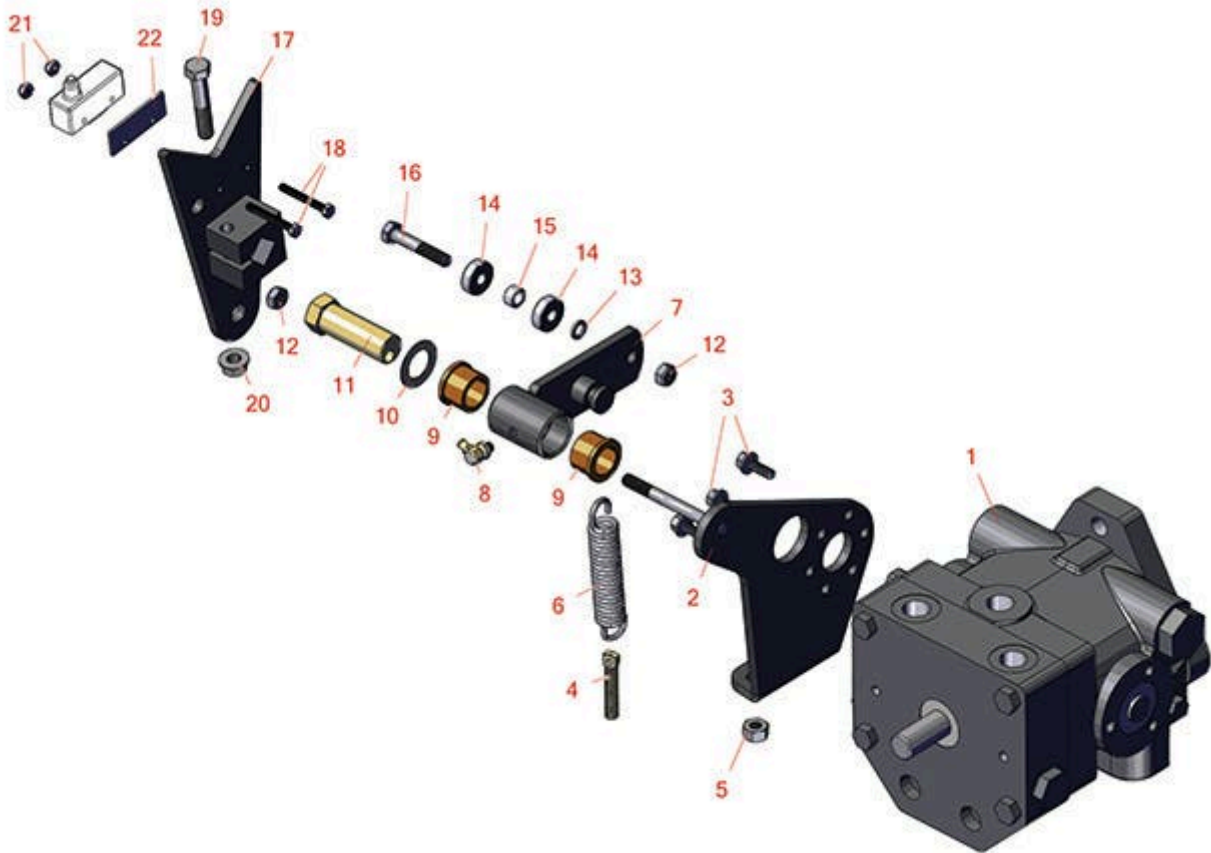


Replaces R&R Products Sand Max 316

Parts

Traction Unit

Hydraulic Pump Mounting



All original equipment manufacturers names and part numbers are used for identification purposes only, and we are in no way implying that our products are original equipment parts. Prices subject to change without notice.



Replaces R&R Products Sand Max 316

Parts

Traction Unit

Hydraulic Pump Mounting



Item No	R&R Part No.	OEM Part No.	Description	Qty Req	Order Quantity
1	R114-0613	R106-9248, R95-0587	Pump - Variable	1	
2	R95-0553-03	R95-0553	Plate-Pump	1	
3	R49-2040	R32104-42, R32104-95, R32144-44	Bolt - Hex Washer 1/4-20 x 3/4	3	
4	R18-6380		Pin - Adjustment Steering	1	
5	R444754	R000210	Locknut - 5/16-24 Center	1	
6	R85-9030		Spring-Extension - Stainless	1	
7	R85-8460		Switch Arm Assy	1	
8	R302-60		Zerk - Grease 90 Deg.	1	
9	R256-113		Bushing - 3/4 ID x 1 1/8 Flange	2	
10	R3-6498	R47-8270	Washer - Thrust	1	
11	R76-8640		Stud - Traction	1	
12	R3296-29	3296-29, R1-804256, R915662P	Locknut - 5/16-18 ESNA	2	
13	R75-5470		Spacer - Bearing	1	
14	R251-259	R251-307	Bearing - Ball	2	
15	R85-9120		Spacer - Pivot, Tilt	1	
16	R101344	R322-8, R400194	Bolt - Hex HD 5/16-18 x 1-3/4	1	
17	R112-0009	R107-3515-03	Lever - Pump Kit	1	
18	R32105-21		Bolt	2	

All original equipment manufacturers names and part numbers are used for identification purposes only, and we are in no way implying that our products are original equipment parts. Prices subject to change without notice.



Replaces R&R Products Sand Max 316 Parts

*Traction Unit
Hydraulic Pump Mounting*



Item No	R&R Part No.	OEM Part No.	Description	Qty Req	Order Quantity
19	R323-10	R01-150-0680, R01-178-0616, R100-6663, R100-8320, R1489, R20-51-AD, R20-51-AGD, R3224-6, R323-35, R908336, REP-300-ZB	Bolt - Hex HD 3/8-16 x 2	1	
20	R3296-39	3296-39, R32127-25, R32128-36, R3296-17, R3296-22, R915663P, R99-7443	Locknut - 3/8-16 Nylon	1	
21	R3296-9	R32127-17	Locknut - Comb	2	
22	R85-9150		Plate-Switch	1	

All original equipment manufacturers names and part numbers are used for identification purposes only, and we are in no way implying that our products are original equipment parts. Prices subject to change without notice.