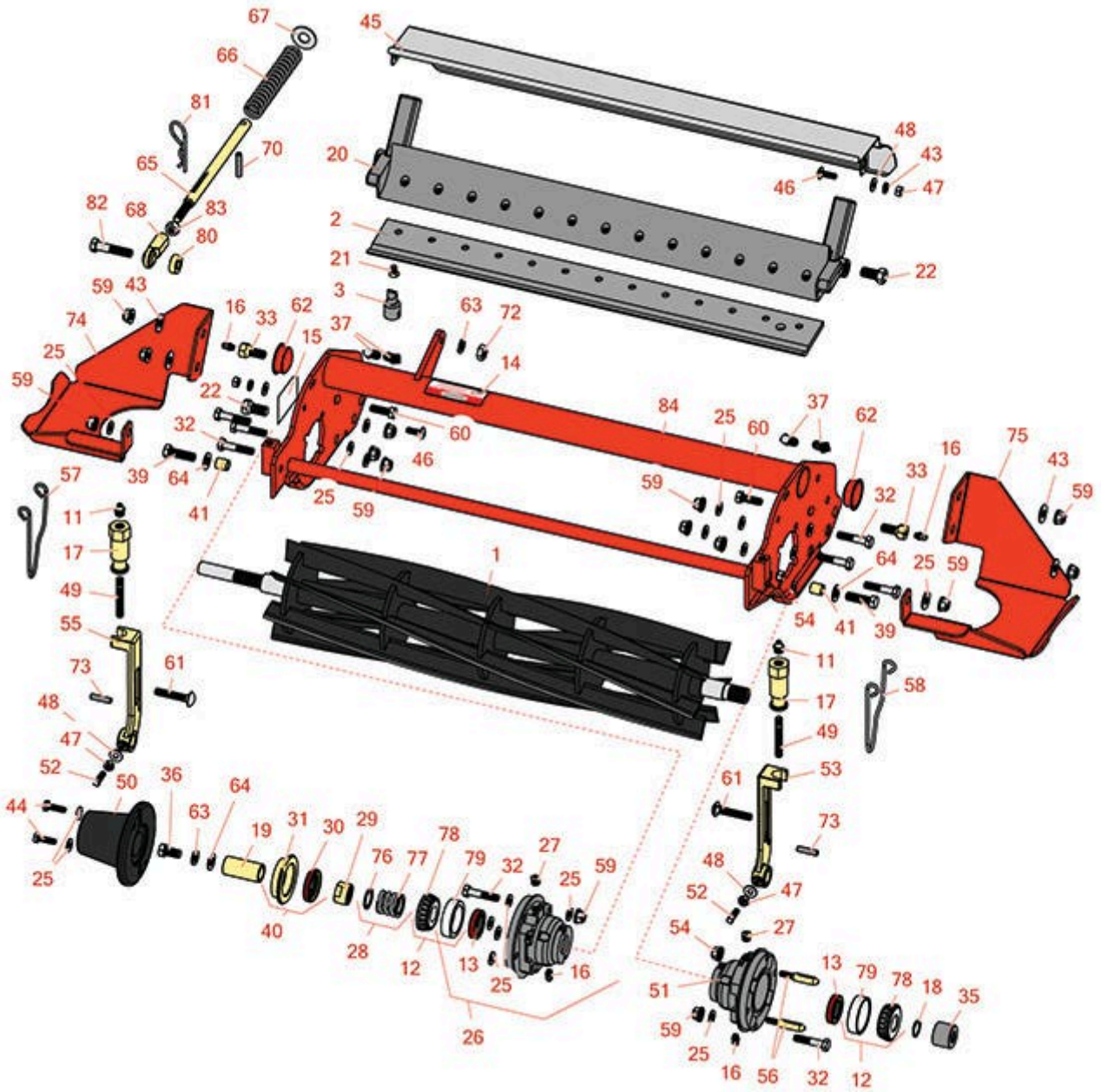




# Replaces Jacobsen LF-4675 Parts

5" Cutting Unit  
Reel & Bedknife



All original equipment manufacturers names and part numbers are used for identification purposes only, and we are in no way implying that our products are original equipment parts. Prices subject to change without notice.



# Replaces Jacobsen LF-4675 Parts

5" Cutting Unit  
Reel & Bedknife



Item No	R&R Part No.	OEM Part No.	Description	Qty Req	Order Quantity
---------	--------------	--------------	-------------	---------	----------------

## R&R Reels, Lifetime Guaranteed

1	<b>R503319</b>	5001095, 5003053, 503319	Reel - 7 Blade LH	1	
---	----------------	--------------------------------	-------------------	---	--

*Detail Description: R&R Reel blades are expertly crafted from premium high carbon-boron alloy steel, heat-treated to perfectly complement both R&R and OEM bedknives. Each reel undergoes precision cylindrical grinding on bearing surfaces, followed by relief grinding for optimal performance. Advanced computer balancing ensures extended reel and bearing life. Backed by our lifetime guarantee against defects in materials and craftsmanship under normal use, R&R Reels deliver unmatched durability and cutting precision you can trust.:*

1	<b>R503320</b>	5001096, 5003054, 5003064, 503320	Reel - 7 Blade RH	1	
---	----------------	--------------------------------------------	-------------------	---	--

*Detail Description: R&R Reel blades are expertly crafted from premium high carbon-boron alloy steel, heat-treated to perfectly complement both R&R and OEM bedknives. Each reel undergoes precision cylindrical grinding on bearing surfaces, followed by relief grinding for optimal performance. Advanced computer balancing ensures extended reel and bearing life. Backed by our lifetime guarantee against defects in materials and craftsmanship under normal use, R&R Reels deliver unmatched durability and cutting precision you can trust.:*

1	<b>R503321</b>	5001097, 503321	Reel - 5 Blade LH	1	
---	----------------	--------------------	-------------------	---	--

*Detail Description: R&R Reel blades are expertly crafted from premium high carbon-boron alloy steel, heat-treated to perfectly complement both R&R and OEM bedknives. Each reel undergoes precision cylindrical grinding on bearing surfaces, followed by relief grinding for optimal performance. Advanced computer balancing ensures extended reel and bearing life. Backed by our lifetime guarantee against defects in materials and craftsmanship under normal use, R&R Reels deliver unmatched durability and cutting precision you can trust.:*

1	<b>R503322</b>	5001098, 503322	Reel - 5 Blade RH	1	
---	----------------	--------------------	-------------------	---	--

*Detail Description: R&R Reel blades are expertly crafted from premium high carbon-boron alloy steel, heat-treated to perfectly complement both R&R and OEM bedknives. Each reel undergoes precision cylindrical grinding on bearing surfaces, followed by relief grinding for optimal performance. Advanced computer balancing ensures extended reel and bearing life. Backed by our lifetime guarantee against defects in materials and craftsmanship under normal use, R&R Reels deliver unmatched durability and cutting precision you can trust.:*

## R&R Bedknives, Lifetime Guaranteed

All original equipment manufacturers names and part numbers are used for identification purposes only, and we are in no way implying that our products are original equipment parts. Prices subject to change without notice.



# Replaces Jacobsen LF-4675 Parts

5" Cutting Unit  
Reel & Bedknife



Item No	R&R Part No.	OEM Part No.	Description	Qty Req	Order Quantity
---------	--------------	--------------	-------------	---------	----------------

2	<b>R5003150</b>	5003150	Bedknife - Low Cut	1	
---	-----------------	---------	--------------------	---	--

*Detail Description: R&R Bedknives are manufactured from high carbon-boron alloy steel and then hardened to RC46-49 to match the temper of our reel blades and original equipment reels. Bedknives are surface ground on the top and front edge and straightened three times before being packaged with oil for rust prevention. All R&R Bedknives now have an increased front edge grind for added life. All R&R Bedknives are guaranteed against defects in material and workmanship under normal use for the life of the part.:*

2	<b>R503460</b>	503257, 503460	Bedknife - 22 in 13 Hole	1	
---	----------------	-------------------	--------------------------	---	--

*Detail Description: R&R Bedknives are manufactured from high carbon-boron alloy steel and then hardened to RC46-49 to match the temper of our reel blades and original equipment reels. Bedknives are surface ground on the top and front edge and straightened three times before being packaged with oil for rust prevention. All R&R Bedknives now have an increased front edge grind for added life. All R&R Bedknives are guaranteed against defects in material and workmanship under normal use for the life of the part.:*

## R&R Razor Tool Steel Bedknives, Lifetime Guaranteed

2	<b>R101523</b>		Bedknife - Razor Tool Steel - 22 High Cut	1	
---	----------------	--	-------------------------------------------	---	--

*Detail Description: R&R Razor bedknives are manufactured from premium alloy tool steel steel and then hardened to RC48-51 to match the temper of our Razor reel blades and original equipment premium series reels. Bedknives are surface ground on the top and front edge and specially packaged for rust prevention. All R&R Bedknives now have an increased front edge grind for added life. All R&R Bedknives are guaranteed against defects in material and workmanship under normal use for the life of the part. You can expect up to double the life over standard bedknives.:*

## Service Tools

3	<b>R101272T</b>		Bedknife Screw Driver Tool	0	
---	-----------------	--	----------------------------	---	--

*Tech Note: Easily install and remove bed knife screws with the help of a ratchet. Tool manufactured with hardened alloy steel.:*

*Detail Description: Easily install and remove bed knife screws with the help of a ratchet. Tool manufactured with hardened alloy steel.:*

## Other Parts Available

11	<b>R471219</b>	366852, 471219	Zerk - Grease	2	
----	----------------	-------------------	---------------	---	--

All original equipment manufacturers names and part numbers are used for identification purposes only, and we are in no way implying that our products are original equipment parts. Prices subject to change without notice.



# Replaces Jacobsen LF-4675 Parts

5" Cutting Unit  
Reel & Bedknife



Item No	R&R Part No.	OEM Part No.	Description	Qty Req	Order Quantity
12	<b>R500534</b>	500534, R500534	Bearing - with Cup	2	
<i>Detail Description: Kit includes: 1 ea R254-78- Bearing Cone &amp; R254-79 Bearing Cone:</i>					
13	<b>R336962</b>	336962	Seal	2	
14	<b>R354083</b>	354083, 361877, 4127335	Decal - Danger	2	
15	<b>R1000997</b>	1000997	Decal - Warning	1	
16	<b>R302-5</b>	302-5, 471214, 471223, 471226	Fitting - Grease	2	
17	<b>R365009</b>	3005692, 365009, 365170, 441674	Knob - Adjusting Roller	2	
18	<b>R458013</b>	458013	Ring - Retaining	1	
19	<b>R367164</b>	367164	Spacer - Reel	1	
20	<b>R220278</b>	121856, 220278, 5000415	Backing Bar - Cast	1	
20	<b>R2000068</b>	2000068	Bed Bar	1	
21	<b>R101272</b>	101272, 3009138, 402578, 800813	Screw - Bedknife 1/4-20 x 1/2	13	
22	<b>R315298</b>	315298	Bolt - Bed Bar	2	
25	<b>R453009</b>	3256-23, 452004, 452006, 452008, 453009	Washer - Flat 5/16 SAE	1	

All original equipment manufacturers names and part numbers are used for identification purposes only, and we are in no way implying that our products are original equipment parts. Prices subject to change without notice.



# Replaces Jacobsen LF-4675 Parts

5" Cutting Unit  
Reel & Bedknife



Item No	R&R Part No.	OEM Part No.	Description	Qty Req	Order Quantity
26	<b>R164144</b>	1000480, 163397, 164144, 2000060	Housing - Reel Bearing	1	
<i>Detail Description: Includes R336962 Seal, R302-5 Zerk, R170714 Relief Fitting &amp; R254-79 Cup:</i>					
27	<b>R170714</b>	170714, 471240, 471242	Fitting - Pressure Relief	1	
28	<b>R5002151</b>	5002151	Hardware Kit - Spring/Washer	1	
<i>Detail Description: Includes 1 ea: R304745 Washer, R363047 Spring:</i>					
29	<b>R364900</b>	364900	Nut - Reel Tension	1	
30	<b>R337677</b>	315257, 337677	Seal - Oil	1	
31	<b>R363814</b>	163892, 363814	Spacer - Seal	1	
32	<b>R400192</b>	400192	Bolt - Hex HD 5/16-18 x 1-1/2	8	
33	<b>R1002224</b>	1002224	Bolt - Rear Roller 3/8-24	2	
<i>Detail Description: Incl Grease Zerk:</i>					
35	<b>R3001720</b>	3001720	Coupler - Iron - Hyd Motor	1	
36	<b>R400294</b>	400294	Screw - 3/8 24 x 3/4 Hex C/Zinc	1	
37	<b>R412506</b>	412503, 412506	Screw - Bed Bar Adjusting	4	
39	<b>R400264</b>	400264	Bolt - Hex HD 3/8-16 x 1-1/4	2	
40	<b>R163398</b>	163398, 163892	Seal - Spacer Assy	1	
41	<b>R345510</b>	345510	Spacer	2	

All original equipment manufacturers names and part numbers are used for identification purposes only, and we are in no way implying that our products are original equipment parts. Prices subject to change without notice.



# Replaces Jacobsen LF-4675 Parts

5" Cutting Unit  
Reel & Bedknife



Item No	R&R Part No.	OEM Part No.	Description	Qty Req	Order Quantity
43	<b>R3253-3</b>	3253-3, 446128, 446130	Washer - Lock 1/4	4	
44	<b>R321-5</b>	321-5, 400110	Bolt - Hex HD 1/4-20 x 7/8	2	
45	<b>R2810043</b>	2810043	Shield - Grass	1	
46	<b>R403782</b>	400018, 403782	Screw - 1/4-20 x 3/4 Truss Head	2	
47	<b>R443102</b>	443102	Nut - 1/4-20 Yellow Zinc	4	
48	<b>R453023</b>	453023	Washer - Flat 1/4	4	
49	<b>R343616</b>	343616, 443102	Stud	2	
50	<b>R2000065</b>	2000065	Weight - Counter	1	
51	<b>R1004786</b>	1004786	Housing - Bearing Quick Clip	1	
<i>Detail Description: Includes: R336962, R302-5, R254-79, R3010296, R32152-4 &amp; R170714:</i>					
52	<b>R352737</b>	352737	Screw - Set 1/4 x 7/8 Sq Head	2	
53	<b>R153980</b>	153980, 3008438	Bracket - Front Roller	1	
54	<b>R32152-4</b>	32152-4, 444708	Locknut - 1/4-20 All Metal	2	
55	<b>R153979</b>	153979, 3008439	Bracket - Front Roller	1	
56	<b>R3010296</b>	3010296	Pin - Motor Mounting	2	
57	<b>R2810165</b>	2810165, 2810166, 3010236, 3010636	Clip - Spring Motor	1	
58	<b>R2810166</b>	2810166, 3010637	Clip - Spring Motor	1	

All original equipment manufacturers names and part numbers are used for identification purposes only, and we are in no way implying that our products are original equipment parts. Prices subject to change without notice.



# Replaces Jacobsen LF-4675 Parts

5" Cutting Unit  
Reel & Bedknife



Item No	R&R Part No.	OEM Part No.	Description	Qty Req	Order Quantity
59	<b>R445795</b>	445795	Nut - 5/16-18 Flanged	4	
60	<b>R322-5</b>	400188	Bolt - Hex HD 5/16-18 x 1	2	
61	<b>R441674</b>	441674	Screw - 5/16-18 x 1-3/4 Carriage	2	
62	<b>R285-14</b>		Plug - Pipe Frame	2	
63	<b>R3254-6</b>	3254-6, 446140, 446142	Washer - Lock 3/8	2	
64	<b>R453011</b>	453011	Washer - Flat 3/8 SAE Y/Zinc	2	
65	<b>R3008593</b>	3008593	Shaft - Down Pressure	1	
66	<b>R311870</b>	311870	Spring - Compression	1	
67	<b>R453017</b>	452012, 453017	Washer - Flat 1/2	1	
68	<b>R366974</b>	366974	Bearing - Rod End	1	
70	<b>R461397</b>	461397	Pin - Roll 1/4 x 1-1/4	1	
72	<b>R443110</b>	306562, 443110, 444762	Nut - 3/8-16 Hex	1	
73	<b>R461256</b>	461256	Pin - 1/4 x 1	2	
74	<b>R3008200</b>	3008200	Skid - Motor RH Front Reel	1	
75	<b>R3008199</b>	3008199	Skid - Motor LH Front Reel	1	
76	<b>R304745</b>	304745	Washer - Reel	1	
77	<b>R363047</b>	348846, 363047	Spring - Reel	1	
78	<b>R254-78</b>	254-78, 385174, 4121174, 4135152	Tapered Bearing Cone	2	

All original equipment manufacturers names and part numbers are used for identification purposes only, and we are in no way implying that our products are original equipment parts. Prices subject to change without notice.



# Replaces Jacobsen LF-4675 Parts

5" Cutting Unit  
Reel & Bedknife



Item No	R&R Part No.	OEM Part No.	Description	Qty Req	Order Quantity
79	<b>R254-79</b>	254-79, 4121175	Cup - Bearing	2	
<i>Detail Description: Use R254-79M installation mandrel to properly install race.:</i>					
80	<b>R352435</b>	352435	Spacer	1	
81	<b>R460312</b>	460312	Pin - Hair Cotter	1	
82	<b>R400268</b>	400268	Bolt - Hex HD 3/8-16 x 1-3/4	1	
83	<b>R3219-3</b>	3219-3, 443112, 443812	Nut - 3/8-24	1	
84	<b>R5003087</b>	5003087	Frame - 5 Reel	1	

All original equipment manufacturers names and part numbers are used for identification purposes only, and we are in no way implying that our products are original equipment parts. Prices subject to change without notice.