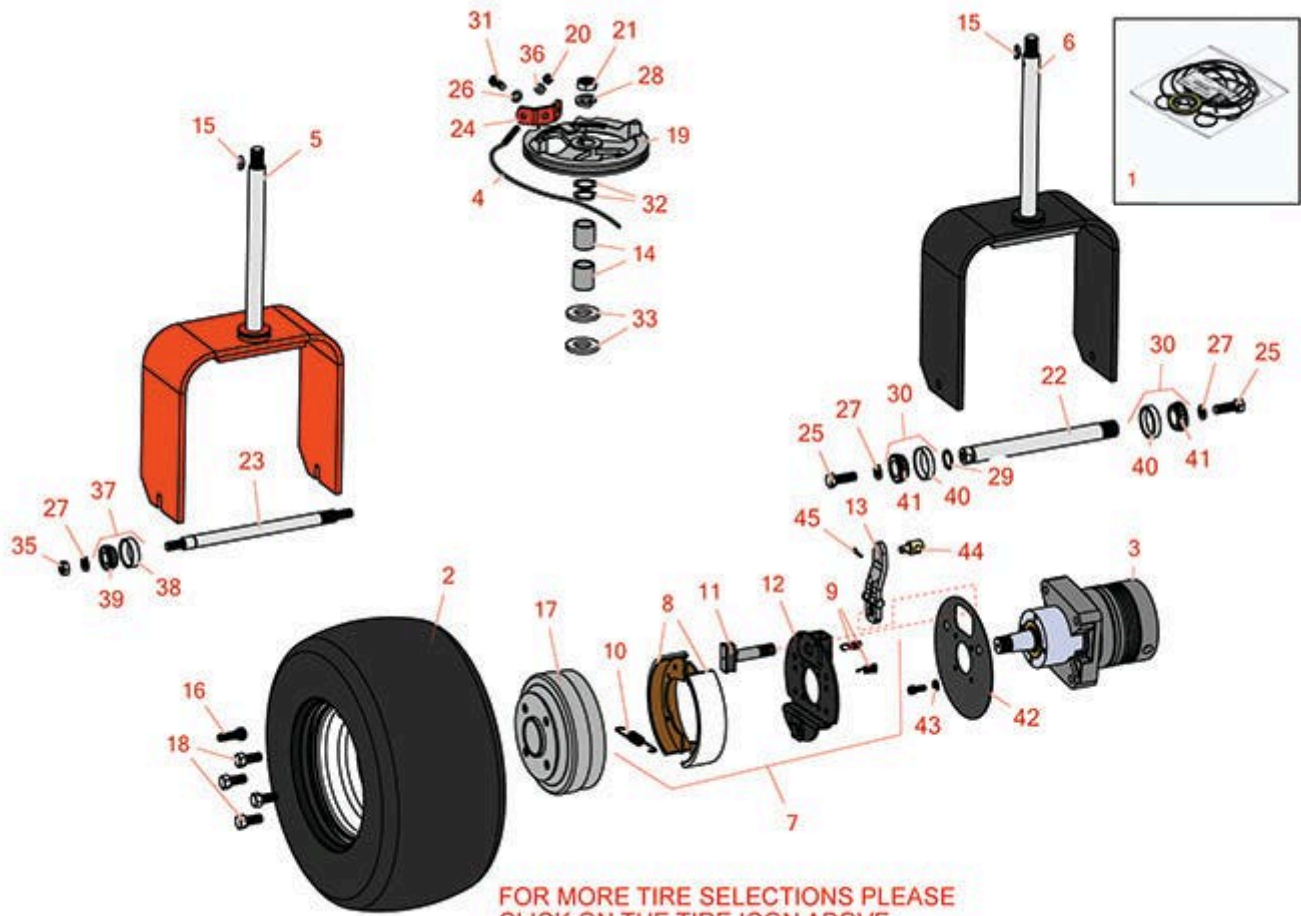




Replaces Jacobsen Greens King IV Parts

Traction Unit - Models 62302, 62303, 62305 & 62306

Rear Steer Tire



All original equipment manufacturers names and part numbers are used for identification purposes only, and we are in no way implying that our products are original equipment parts. Prices subject to change without notice.



Replaces Jacobsen Greens King IV Parts

Traction Unit - Models 62302, 62303, 62305 & 62306

Rear Steer Tire



Item No	R&R Part No.	OEM Part No.	Description	Qty Req	Order Quantity
---------	--------------	--------------	-------------	---------	----------------

Overhaul Kits and Service Tools

1	R353-461		Seal Kit - Wheel Motor	1
---	-----------------	--	------------------------	---

Tech Note: Fits Series #MAB16003A4:

1	R76-0800		Seal Kit - Hyd Wheel Motor	1
---	-----------------	--	----------------------------	---

Tech Note: Fits Series #MB12-1408AAAF:

Tires

2	RCT510981		Tire - 18 - 9.50 x 8 (4 Ply) Carlisle Smooth	1
---	------------------	--	--	---

2	RTK958-4SM-I	353844	Tire - 18x9.50-8 (4 Ply) Kenda Smooth	1
---	---------------------	--------	---------------------------------------	---

2	R121704	121704	Wheel - with Valve Stem	1
---	----------------	--------	-------------------------	---

Tech Note: Fits GKIV #62221, 2-3/8" to valve stem base:

2	R122367	122367	Wheel	1
---	----------------	--------	-------	---

Tech Note: Fits GKIV #62228, 3-1/8" to valve stem base. Includes Valve Stem:

2	R130184	130184	Tire w/Wheel - 18x9.50-8 (2 Ply) Carlisle Smooth	1
---	----------------	--------	--	---

2	R700141		Tube - 18x6.50/7.50/8.50/9.50-8 TR13	1
---	----------------	--	--------------------------------------	---

Other Parts Available

3	R10-8010	121709	Hydraulic Motor	1
---	-----------------	--------	-----------------	---

3	R122675	122675	Hydraulic Motor - Ta TF0195LS080AAA	1
---	----------------	--------	-------------------------------------	---

4	R160040	160040	Cable - Steering	2
---	----------------	--------	------------------	---

5	R130434	130434	Fork - Steering	1
---	----------------	--------	-----------------	---

6	R122438	122438	Fork - Steering	1
---	----------------	--------	-----------------	---

7	R501307	501307	Brake Assy	1
---	----------------	--------	------------	---

All original equipment manufacturers names and part numbers are used for identification purposes only, and we are in no way implying that our products are original equipment parts. Prices subject to change without notice.



Replaces Jacobsen Greens King IV Parts

Traction Unit - Models 62302, 62303, 62305 & 62306

Rear Steer Tire



Item No	R&R Part No.	OEM Part No.	Description	Qty Req	Order Quantity
<i>Tech Note: Includes: 2ea: R353868 Spring; 1 ea: R130191 Plate, R353869 Spring, R501150 Shoes, R546516 Camshaft & R554526 Lever:</i>					
8	R501150	501150	Shoe - Brake Set / 2	1	
9	R353868	353868	Spring - Shoe Hold Down	2	
10	R353869	353869, 555714	Spring - Shoe Return	1	
11	R546516	546516	Camshaft - Brake	1	
12	R130191	130191	Plate - Brake Support	1	
13	R554526	501151, 554526	Lever - Brake	1	
14	R315296	315296	Bushing - Pivot Housing	2	
15	R463009	463009, 463019	Key - Spindle Shaft	1	
16	R232-24	341680, 363233	Stem - Valve w/ Cap	1	
17	R207461	207461	Drum - Brake	1	
<i>Tech Note: Use with R122367 Only:</i>					
18	R353914	353914	Bolt - Wheel	4	
19	R218077	218077	Pulley - Steering	1	
20	R32152-1	444716	Locknut - All Metal 5/16-18	2	
21	R3220-7	443832	Nut - 3/4-16 Jam Zinc	1	
22	R337358	337358	Axle - Steering	1	
23	R353908	353908	Axle - Steering	1	
24	R354000	354000	Bracket - Steering Pulley	1	

All original equipment manufacturers names and part numbers are used for identification purposes only, and we are in no way implying that our products are original equipment parts. Prices subject to change without notice.



Replaces Jacobsen Greens King IV Parts

Traction Unit - Models 62302, 62303, 62305 & 62306

Rear Steer Tire



Item No	R&R Part No.	OEM Part No.	Description	Qty Req	Order Quantity
25	R400442	400442	Screw - 1/2 20 x 1-1/2 Hex	2	
26	R3254-6	3254-6, 446140, 446142	Washer - Lock 3/8	1	
27	R446154	446152, 446154	Washer - Lock 1/2	2	
28	R446178	446178	Washer - Lock 3/4	1	
29	R458039	458039	Ring - Retaining	1	
30	R500596	500596	Tapered Bearing Set - Cup and Cone	2	
31	RF3205	400188, 400262	Bolt - Hex HD 3/8-16 x 1	1	
32	R303629	303629	Washer - Spacer	2	
33	R360113	360113	Washer - Thrust Nylon	2	
35	R444784	444784	Locknut - 1/2-13 Center	2	
36	R453009	3256-23, 452004, 452006, 452008, 453009	Washer - Flat 5/16 SAE	2	
37	R500534	500534, R500534	Bearing - with Cup	2	
38	R254-79	254-79, 4121175	Cup - Bearing	2	
<i>Tech Note: Use R254-79M installation mandrel to properly install race.:</i>					
39	R254-78	254-78, 385174, 4121174, 4135152	Tapered Bearing Cone	2	
40	R254-72	313456	Cup - Bearing	2	

All original equipment manufacturers names and part numbers are used for identification purposes only, and we are in no way implying that our products are original equipment parts. Prices subject to change without notice.



Replaces Jacobsen Greens King IV Parts

Traction Unit - Models 62302, 62303, 62305 & 62306

Rear Steer Tire



Item No	R&R Part No.	OEM Part No.	Description	Qty Req	Order Quantity
45	R460026	460026	Pin - Cotter 1/8 x 3/4	1	
41	R254-94	313089	Tapered Bearing Cone	2	
42	R390742	390742	Shield	1	
43	R446136	446134, 446136	Washer - Lock 5/16 Zinc	1	
44	R353973	353973	Guide	1	

All original equipment manufacturers names and part numbers are used for identification purposes only, and we are in no way implying that our products are original equipment parts. Prices subject to change without notice.