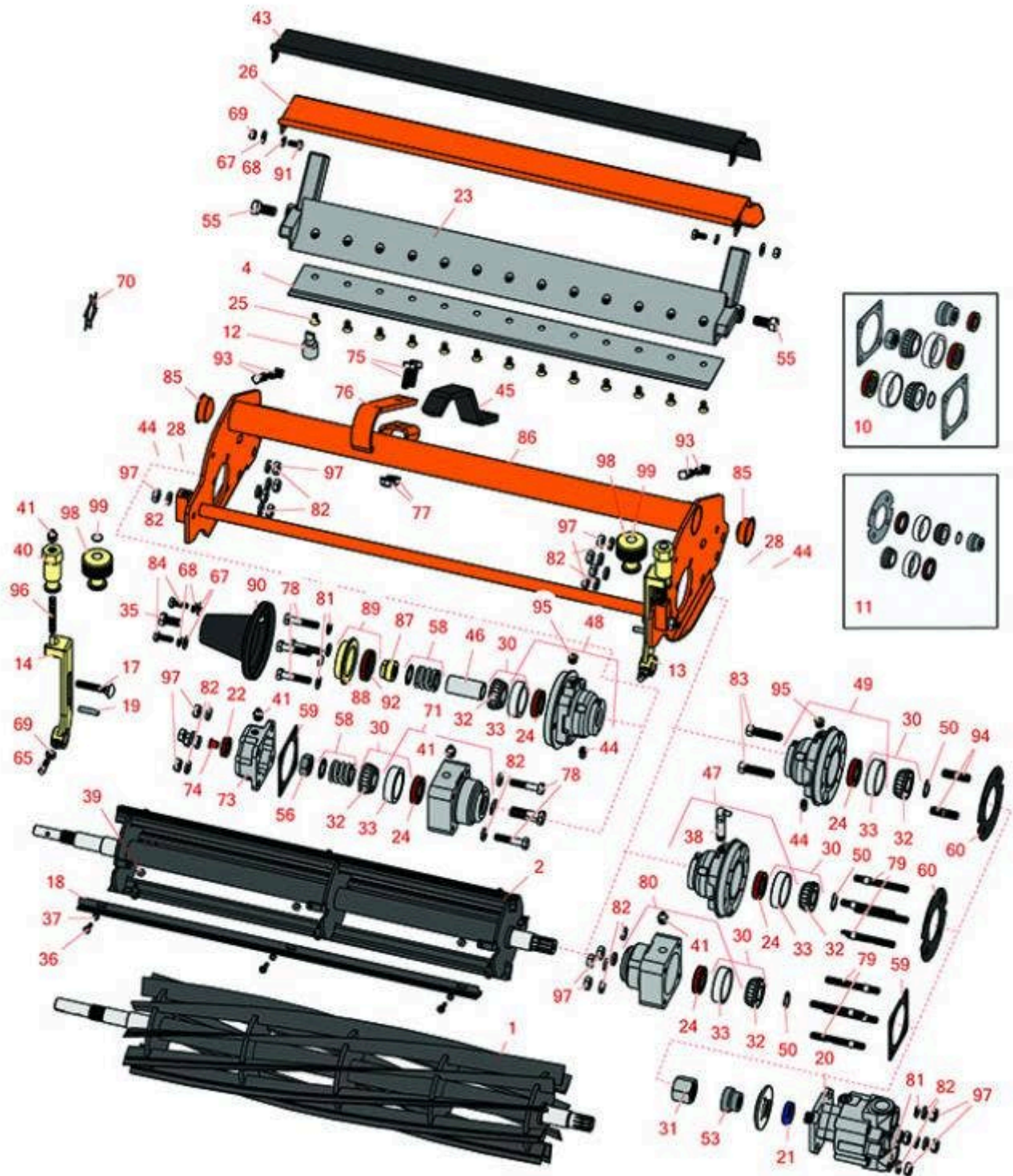




Replaces Jacobsen Greens King IV Parts

Cutting Unit
Reel & Bedknife



All original equipment manufacturers names and part numbers are used for identification purposes only, and we are in no way implying that our products are original equipment parts. Prices subject to change without notice.



Replaces Jacobsen Greens King IV Parts

Cutting Unit
Reel & Bedknife



Item No	R&R Part No.	OEM Part No.	Description	Qty Req	Order Quantity
<i>R&R Reels - Replaces Greens King IV (62221) Splined Shaft Reel, 1/2" Shaft End</i>					
1	R503327		Reel - 4 Blade RH/Rear	2	
1	R503330		Reel - 4 Blade LH	1	
1	R506510		Reel - 5 Blade RH/Rear	2	
1	R506515		Reel - 5 Blade LH	1	
1	R506511		Reel - 5 Blade RH Heavy Duty	2	
1	R506516		Reel - 5 Blade LH Heavy Duty	1	
1	R506620		Reel - 6 Blade RH/Rear	2	
1	R506630		Reel - 6 Blade LH	1	
1	R502870	502870	Reel - 9 Blade RH/Rear	2	
1	R503319	5001095, 5003053, 503319	Reel - 7 Blade LH	1	
1	R503320	5001096, 5003054, 5003064, 503320	Reel - 7 Blade RH	1	
1	R502871	502871	Reel - 9 Blade LH	1	
1	R502870H		Reel - 9 Blade Heavy Duty RH/Rear	2	
1	R502871H		Reel - 9 Blade Heavy Duty LH	1	
1	R506633		Reel - 11 Blade RH/Rear	2	
1	R506634		Reel - 11 Blade LH	1	
<i>R&R Reels - Replaces Greens King IV (62228 & UP) Splined & Keyed Shaft, 5/8" Shaft End</i>					
1	R506502		Reel - 5 Blade RH	2	

All original equipment manufacturers names and part numbers are used for identification purposes only, and we are in no way implying that our products are original equipment parts. Prices subject to change without notice.



Replaces Jacobsen Greens King IV Parts

Cutting Unit
Reel & Bedknife



Item No	R&R Part No.	OEM Part No.	Description	Qty Req	Order Quantity
1	R506503		Reel - 5 Blade LH	1	
1	R506507		Reel - 5 Blade RH Heavy Duty	2	
1	R506508		Reel - 5 Blade LH Heavy Duty	1	
1	R503376	5001100, 503376	Reel - 9 Blade RH	2	
1	R503375	5001099, 503375	Reel - 9 Blade LH	1	
1	R506512		Reel - 9 Blade RH Heavy Duty	2	
1	R506513		Reel - 9 Blade Heavy Duty LH	1	
1	R506635	5000029, 5001102	Reel - 11 Blade RH	2	
1	R506636	5000028, 5001101, 506636	Reel - 11 Blade LH	1	
<i>R&R Brush Reels Available - Replaces Greens King IV (62221) Splined Shaft Reel, 1/2" Shaft End</i>					
2	R101487		Brush Reel - RH-Rear	2	
2	R101488		Brush Reel - LH	1	
<i>R&R Brush Reels Available - Replaces Greens King IV (62228 & UP) Splined & Keyed Shaft, 5/8" Shaft End</i>					
2	R101490		Brush Reel - RH	2	
2	R101491		Brush Reel - LH Keyed Shaft	1	
<i>R&R Bedknives, Lifetime Guaranteed</i>					
4	R503477	101261, 503027, 503477, 549397	Bedknife - Thick .156-.438 HOC	1	
4	R101262		Bedknife - Super Thick 5/16	1	

All original equipment manufacturers names and part numbers are used for identification purposes only, and we are in no way implying that our products are original equipment parts. Prices subject to change without notice.



Replaces Jacobsen Greens King IV Parts

Cutting Unit
Reel & Bedknife



Item No	R&R Part No.	OEM Part No.	Description	Qty Req	Order Quantity
4	R503478	101260, 503028, 503478, 549504	Bedknife - Thin .125-.219 HOC	1	
4	R503479	503029, 503479	Bedknife - Tournament .094-.156 HOC	1	
4	R4234900	5000927	Bedknife - Tournament .063-.110	1	
4	R5002887	5002887	Bedknife - Micro Cut - .082-.109	1	
4	R5003150	5003150	Bedknife - Low Cut	1	

R&R Razor Tool Steel Bedknives, Lifetime Guaranteed

4	R101520		Bedknife - Razor Tool Steel - 22 Micro Cut	1	
4	R101521		Bedknife - Razor Tool Steel - 22 Tournament Cut	1	

Overhaul Kits & Service Tools

10	R506555		Overhaul Kit - Cutting Unit	0	
<i>Tech Note: Fits GK IV (62221) with square bearing housings. Includes 2 ea.: R336962 Seals, R345473 Gaskets, R254-78 Bearings, R254-79 Bearing Cups; 1 ea.: R335435 Seal, R337370 Coupling, R458013 Ring & R444713 Locknut:</i>					
11	R100125		Overhaul Kit - Cutting Unit	0	
<i>Tech Note: Fits GK IV (62228 & 62229) with round bearing housings. Includes 2 ea.: R336962 Seals, R254-78 Bearings, R254-79 Cups; 1 ea.:R337677 Seal, R458013 Ring, R364901Gasket, R337370 Coupling:</i>					
12	R101272T		Bedknife Screw Driver Tool	0	
<i>Tech Note: Easily install and remove bed knife screws with the help of a ratchet. Tool manufactured with hardened alloy steel.:</i>					

Other Parts Available

All original equipment manufacturers names and part numbers are used for identification purposes only, and we are in no way implying that our products are original equipment parts. Prices subject to change without notice.



Replaces Jacobsen Greens King IV Parts

Cutting Unit
Reel & Bedknife



Item No	R&R Part No.	OEM Part No.	Description	Qty Req	Order Quantity
13	R153980	153980, 3008438	Bracket - Front Roller	1	
13	R163232	163232	Bracket - Extra Long - Front Roller	1	
14	R153979	153979, 3008439	Bracket - Front Roller	1	
14	R163231	163231	Bracket - Extra Long - Front Roller	1	
17	R441674	441674	Screw - 5/16-18 x 1-3/4 Carriage	2	
18	R150481	150481	Brush Assy - Brush Reel	4	
19	R461256	461256	Pin - 1/4 x 1	2	
20	R122164	122164	Motor - Reel	3	
<i>Tech Note: Fits GKIV 4 Bolt Mount:</i>					
20	R502737	502737	Seal Kit - Fits R122164 Hyd Motor	1	
21	R353-585		Seal - High Pressure - Reel Motor	1	
22	R335435	335435	Seal - Reel Housing	1	
23	R220278	121856, 220278, 5000415	Backing Bar - Cast	1	
24	R325472	325472	Seal	4	
24	R336962	336962	Seal	4	
25	R101272	101272, 3009138, 402578, 800813	Screw - Bedknife 1/4-20 x 1/2	13	
26	R390950	126724, 2810043, 390950	Shield - Grass	1	
28	R1002224	1002224	Bolt - Rear Roller 3/8-24	2	

All original equipment manufacturers names and part numbers are used for identification purposes only, and we are in no way implying that our products are original equipment parts. Prices subject to change without notice.



Replaces Jacobsen Greens King IV Parts

Cutting Unit
Reel & Bedknife



Item No	R&R Part No.	OEM Part No.	Description	Qty Req	Order Quantity
<i>Tech Note: Incl Grease Zerk:</i>					
28	R345470	1002226, 345470	Bolt - Rear Roller 7/16-20	2	
<i>Tech Note: Incl. Grease Zerk:</i>					
30	R500534	500534, R500534	Bearing - with Cup	2	
31	R345477	345477	Nut - Coupling LH (RH Threads)	2	
<i>Tech Note: Right Hand Threads:</i>					
31	R345478	345478	Nut - Coupling RH (LH Threads)	2	
<i>Tech Note: Left Hand Threads:</i>					
32	R254-78	254-78, 385174, 4121174, 4135152	Tapered Bearing Cone	2	
33	R254-79	254-79, 4121175	Cup - Bearing	2	
<i>Tech Note: Use R254-79M installation mandrel to properly install race.:</i>					
35	R400294	400294	Screw - 3/8 24 x 3/4 Hex C/Zinc	1	
36	R150425	150425	Bolt - Hex HD 8-32 x 5/8	12	
37	R150426	150426	Washer - 8 SAE	12	
38	R363896	363896	Fitting - Grease w/Extension	2	
39	R3296-9		Locknut - Comb	12	
40	R365009	3005692, 365009, 365170, 441674	Knob - Adjusting Roller	2	

All original equipment manufacturers names and part numbers are used for identification purposes only, and we are in no way implying that our products are original equipment parts. Prices subject to change without notice.



Replaces Jacobsen Greens King IV Parts

Cutting Unit
Reel & Bedknife



Item No	R&R Part No.	OEM Part No.	Description	Qty Req	Order Quantity
41	R471219	366852, 471219	Zerk - Grease	2	
43	R2810043	2810043	Shield - Grass	1	
44	R302-5	302-5, 471214, 471223, 471226	Fitting - Grease	2	
45	R3010293	3010293	Stop - Mower	1	
46	R367164	367164	Spacer - Reel	1	
47	R163396	163396	Housing - Reel Brg Motor End	1	
<i>Tech Note: Includes: 4 ea: R361097 Stud; 1 ea: R254-79 Cup, R336962 Seal, R363896 Grease Fitting:</i>					
48	R164144	1000480, 163397, 164144, 2000060	Housing - Reel Bearing	1	
<i>Tech Note: Includes R336962 Seal, R302-5 Zerk, R170714 Relief Fitting & R254-79 Cup:</i>					
49	R164146	163679, 164146	Housing - Reel Bearing - Motor End	1	
<i>Tech Note: Housing has no studs, uses 2 bolts. Includes: 1 ea: R170714 Fitting, R254-79 Cup, R302-5 Fitting & R336962 Seal:</i>					
49	R101328		Housing - Bearing Motor End	1	
<i>Tech Note: Includes R302-5, R336962, R170714, R101327 & Cup Portion of R500534. Housing has 2 studs, uses no bolts:</i>					
50	R458013	458013	Ring - Retaining	1	
53	R4247911	162567, 337370, 4247911	Coupling - Hyd Motor - Glass Filled	1	
53	R3001720	3001720	Coupler - Iron - Hyd Motor	1	

All original equipment manufacturers names and part numbers are used for identification purposes only, and we are in no way implying that our products are original equipment parts. Prices subject to change without notice.



Replaces Jacobsen Greens King IV Parts

Cutting Unit
Reel & Bedknife



Item No	R&R Part No.	OEM Part No.	Description	Qty Req	Order Quantity
55	R315298	315298	Bolt - Bed Bar	2	
56	R444713	444713	Locknut - 5/8-18 Hex Center	1	
56	R453020	453020	Washer - 5/8 SAE Flat Z	1	
58	R363047	348846, 363047	Spring - Reel	1	
58	R5002151	5002151	Hardware Kit - Spring/Washer	1	
<i>Tech Note: Includes 1 ea: R304745 Washer, R363047 Spring:</i>					
59	R345473	345473	Gasket - Reel Motor	1	
60	R364901	364901	Gasket - Reel Motor	1	
65	R352737	352737	Screw - Set 1/4 x 7/8 Sq Head	2	
67	R453023	453023	Washer - Flat 1/4	2	
68	R3253-3	3253-3, 446128, 446130	Washer - Lock 1/4	4	
69	R443102	443102	Nut - 1/4-20 Yellow Zinc	2	
70	R363808	363808	Blade - V-Cut 2 Dia	85	
71	R239055	239055	Housing - Reel Bearing Short	1	
<i>Tech Note: Includes R336962 Seal & R254-79 Bearing Cup:</i>					
73	R269037	269037	Cap - Reel Housing	1	
74	R352132	352132	Caplug - Reel Shaft End	1	
75	R403751	403751	Bolt - Serrated Washer HD	2	
76	R354928	354928	Stop - Mower	1	
77	R445722	445722	Nut - Serrated Washer	2	

All original equipment manufacturers names and part numbers are used for identification purposes only, and we are in no way implying that our products are original equipment parts. Prices subject to change without notice.



Replaces Jacobsen Greens King IV Parts

Cutting Unit
Reel & Bedknife



Item No	R&R Part No.	OEM Part No.	Description	Qty Req	Order Quantity
78	R400192	400192	Bolt - Hex HD 5/16-18 x 1-1/2	4	
79	R361097	361097	Stud - Reel Brg Housing	4	
80	R162558	162558	Housing - Reel Bearing Tall	1	
<i>Tech Note: Includes: 4 ea: R361097 Stud; 1 ea: R254-79 Cup, R336962 Seal, R471219 Grease Fitting;</i>					
81	R453009	3256-23, 452004, 452006, 452008, 453009	Washer - Flat 5/16 SAE	4	
82	R446136	446134, 446136	Washer - Lock 5/16 Zinc	12	
83	R441812	441812	Screw - 3/8-1-1/2 Sq HD Set	2	
84	R321-4	321-4, 400108	Bolt - Hex HD 1/4-20 x 3/4	1	
85	R285-14		Plug - Pipe Frame	2	
86	R122685	119245, 122685, 503325	Frame	1	
86	R5002577	5002577	Frame - Reel	1	
86	R4256225	4256225	Frame - 22 in Cutting Unit	1	
87	R363817	363817	Nut - 5/8-18 Reel Tension	1	
87	R364900	364900	Nut - Reel Tension	1	
88	R363814	163892, 363814	Spacer - Seal	1	
89	R163398	163398, 163892	Seal - Spacer Assy	1	

All original equipment manufacturers names and part numbers are used for identification purposes only, and we are in no way implying that our products are original equipment parts. Prices subject to change without notice.



Replaces Jacobsen Greens King IV Parts

Cutting Unit
Reel & Bedknife



Item No	R&R Part No.	OEM Part No.	Description	Qty Req	Order Quantity
90	R338675	338675, 557775	Cover - Shaft End	1	
91	R400104	400104	Bolt - Hex HD 1/4-20 x 1/2	2	
92	R337677	315257, 337677	Seal - Oil	1	
93	R412506	412503, 412506	Screw - Bed Bar Adjusting	4	
94	R101327		Stud - Housing	2	
<i>Tech Note: Fits R101328 Only:</i>					
95	R170714	170714, 471240, 471242	Fitting - Pressure Relief	2	
96	R343616	343616, 443102	Stud	2	
97	R443106	443106	Nut - 5/16-18 Y/Zinc Plated	12	
98	R343617	343617	Knob - Adjusting	2	
99	R472518	472518	Plug - Adjusting Knob	2	

All original equipment manufacturers names and part numbers are used for identification purposes only, and we are in no way implying that our products are original equipment parts. Prices subject to change without notice.