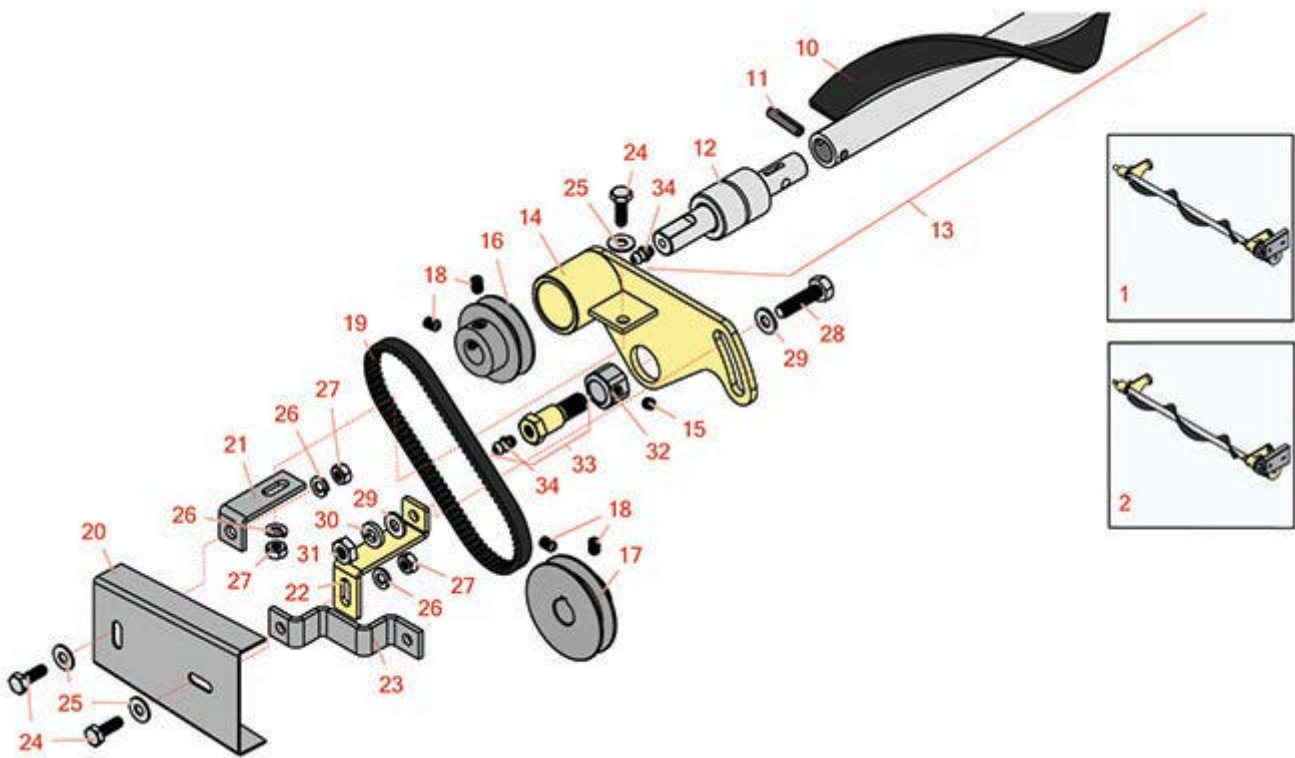




# Replaces Jacobsen Greens King IV Parts

Cutting Unit  
Rear Spiral Brush.



All original equipment manufacturers names and part numbers are used for identification purposes only, and we are in no way implying that our products are original equipment parts. Prices subject to change without notice.



# Replaces Jacobsen Greens King IV Parts

Cutting Unit  
Rear Spiral Brush.



| Item No   | R&R Part No.   | OEM Part No.      | Description                     | Qty Req | Order Quantity |
|---|----------------|-------------------|---------------------------------|---------|----------------|
| <b>Complete Spiral Brush Kit</b>                  |                |                   |                                 |         |                |
| 1   | <b>R101243</b> | 101243            | Kit - Rear Roller Spiral Brush  | 0       |                |
| <i>Tech Note: Fits Reels with 5/8" shaft end:</i> |                |                   |                                 |         |                |
| 2   | <b>R101244</b> | 101244            | Kit - Rear Roller Spiral Brush  | 0       |                |
| <i>Tech Note: Fits Reels with 1/2" shaft end:</i> |                |                   |                                 |         |                |
| <b>Other Parts Available</b>                      |                |                   |                                 |         |                |
| 10  | <b>R131840</b> | 131840            | Brush - Spiral w/Tube           | 1       |                |
| 11  | <b>R461387</b> | 461387            | Pin - Spring Roll 1/4 x 1       | 2       |                |
| 12  | <b>R554571</b> | 554571            | Bearing                         | 2       |                |
| 13  | <b>R131841</b> | 131841            | Tube - Spiral Brush Assy w/Brg  | 1       |                |
| 14  | <b>R131838</b> | 131838            | Bracket - RH Spiral Brush       | 1       |                |
| 14  | <b>R131839</b> | 131839            | Bracket - LH Spiral Brush       | 1       |                |
| 15  | <b>R150690</b> | 150690,<br>415509 | Screw - Set 1/4-20 x 1/4        | 4       |                |
| 16  | <b>R338343</b> | 338343            | Pulley - Spiral Brush           | 1       |                |
| 17  | <b>R101245</b> |                   | Pulley - Reel Drive 1/2 Bore    | 1       |                |
| 17  | <b>R338758</b> | 338758            | Pulley - 5/8 Reel Shaft End     | 1       |                |
| 18  | <b>R415521</b> | 415521,<br>415522 | Screw - Set - 5/16-18 x 3/8     | 4       |                |
| 19  | <b>R840958</b> | 364120,<br>840958 | Belt - Spiral Brush             | 1       |                |
| 20  | <b>R338348</b> | 338348            | Shield - Belt Fits Sp Brush Kit | 1       |                |
| 21  | <b>R364123</b> | 364123            | Bracket - Mounting Spiral Br    | 1       |                |

All original equipment manufacturers names and part numbers are used for identification purposes only, and we are in no way implying that our products are original equipment parts. Prices subject to change without notice.



# Replaces Jacobsen Greens King IV Parts

Cutting Unit  
Rear Spiral Brush.



| Item No   | R&R Part No.   | OEM Part No.  | Description                   | Qty Req | Order Quantity |
|---|----------------|---|-------------------------------|---------|----------------|
| 22  | <b>R101246</b> |   | Bracket - Mounting Spiral Br  | 1       |                |
| <i>Tech Note: Use with R162558 or R239055 Bearing Housing (Square Style):</i> |                |   |                               |         |                |
| 23  | <b>R364124</b> | 364124  | Bracket - Mounting Sprial Br  | 1       |                |
| <i>Tech Note: Use with R163396 or R163397 Bearing Housing (Round Style):</i>  |                |   |                               |         |                |
| 24  | <b>R321-4</b>  | 321-4,<br>400108                                    | Bolt - Hex HD 1/4-20 x 3/4    | 0       |                |
| 25  | <b>R453023</b> | 453023  | Washer - Flat 1/4             | 3       |                |
| 26  | <b>R3253-3</b> | 3253-3,<br>446128,<br>446130                        | Washer - Lock 1/4             | 0       |                |
| 27  | <b>R443102</b> | 443102  | Nut - 1/4-20 Yellow Zinc      | 3       |                |
| 28  | <b>R322-5</b>  | 400188  | Bolt - Hex HD 5/16-18 x 1     | 2       |                |
| 29  | <b>R453009</b> | 3256-23,<br>452004,<br>452006,<br>452008,<br>453009 | Washer - Flat 5/16 SAE        | 4       |                |
| 30  | <b>R446136</b> | 446134,<br>446136                                   | Washer - Lock 5/16 Zinc       | 2       |                |
| 31  | <b>R443106</b> | 443106  | Nut - 5/16-18 Y/Zinc Plated   | 2       |                |
| 32  | <b>R364121</b> | 364121  | Nut - Eccentric Adjusting     | 2       |                |
| 33  | <b>R364118</b> | 364118  | Bolt - Roller Mount - 7/16-20 | 2       |                |
| 34  | <b>R302-5</b>  | 302-5,<br>471214,<br>471223,<br>471226              | Fitting - Grease              | 4       |                |

All original equipment manufacturers names and part numbers are used for identification purposes only, and we are in no way implying that our products are original equipment parts. Prices subject to change without notice.