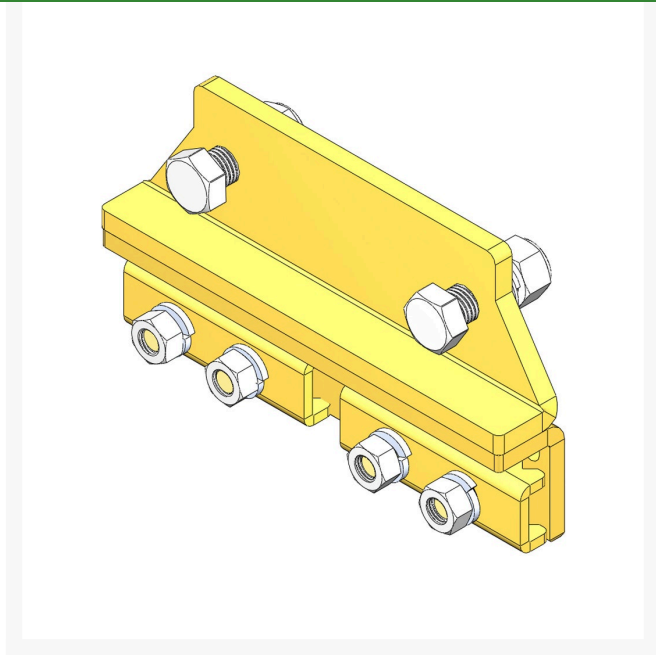




# Needle Tine Holder - 6 Tine 5mm Mt

R09720



### Replaces

R&R Products	R104-0976
Toro	09720, 104-0976

### Specifications

Manufacturer	R&R Products
--------------	--------------

### Fits Models

- Toro ProCore 440
- Toro ProCore 660
- Toro ProCore 880

### Replacement Parts

R104-0972	Clamp - 6 Tine 5mm Mt 2 Req
R104-9914	Nut - Hex 12mm x 1.5
R3253-7	Washer - Lock 1/2
R33028-00	Locknut - 16mm x 2.0 ESNA
R33098-00	Flatwasher - 16mm
R33118-045	Bolt - Hex HD M16-2.0 x 45

## O.J. Company

294 Rang St-Paul Sherrington, J0L 2N0  
450-247-2758

<https://ojcompagnie.rrproducts.com/>