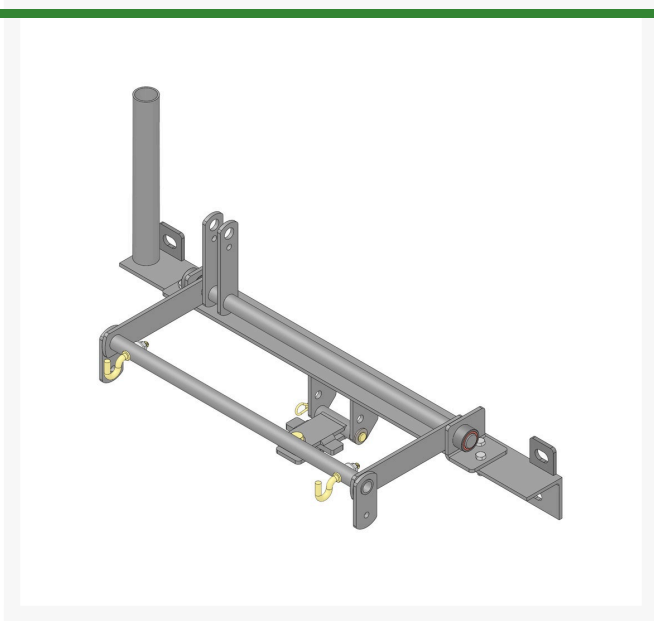




Kit - Mounting Hitch

R08814



Specifications

Manufacturer

R&R Products

Replacement Parts

R187-0	Washer - Flat 7/16 SAE
R283-83	Pin - Clevis
R3272-12	Pin - Cotter 1/8 x 1-1/4
R3296-39	Locknut - 3/8-16 Nylon
R3296-48	Locknut - 7/16-14 ESNA
R400264	Bolt - Hex HD 3/8-16 x 1-1/4
R453009	Washer - Flat 5/16 SAE
R453017	Washer - Flat 1/2
R80-1680	Pivot Bkt w/Bushing - LH
R80-1690	Pivot Bkt w/Bushing - RH
R80-2040	Hook
R80-2050	Bolt - Shoulder
R84-2230-03	Pivot Assy
R84-2420-03	Lift Arm Assy
R84-2620-03	Angle Assy

O.J. Company

294 Rang St-Paul Sherrington, J0L 2N0
450-247-2758

<https://ojcompagnie.rrproducts.com/>