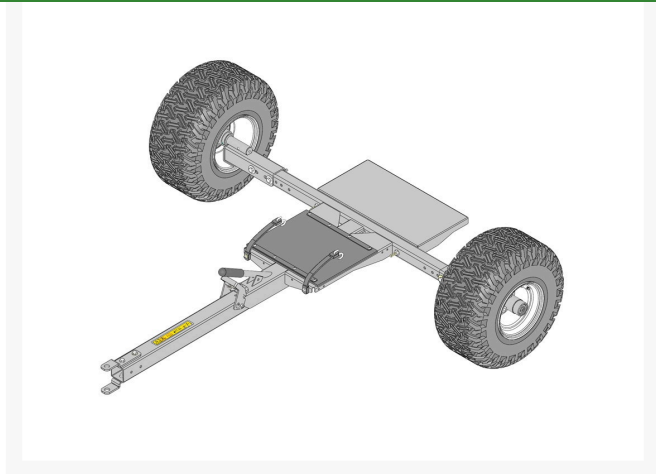




# Frame Assy - Black

R04238B



## Details

Load capacity: 400 lbs. (181.6 kg) (includes trailer weight) Suspension: Low pressure tires (20 x 10-8) Transport Speed: 15 mph (24 km/h) maximum speed Hitch: Equipped with pin-type hitch as standard equipment Towing: Tow with utility vehicle Finish: Powder-coated paint. Black. Axles: Heavy-duty stub wheel spindle. Greasable. Dimensions: Height 19" (48.3 cm) Width 68" (157.5 cm) Length 81" (205.7 cm)

- Low pressure tires (20 x 10-8)
- 15 mph maximum transport speed
- Secure loading ramp with safety latch for transport
- Pin-type hitch standard
- Tow with any utility vehicle
- Powder-coated black paint
- Heavy-duty greasable stub wheel spindle

## Specifications

Manufacturer	R&R Products
Height	20 in (48.3 cm)
Length	81 in
Width	68 in (157.5cm)

## Replacement Parts

R105-9928B	Spindle Assy - Black
R106-4671	Latch
R106-4675B	Tongue - Trailer - Black
R106-5360	Rubber Mat - Front Roller
R106-5366B	Frame Assy - Black
R106-5384	Strip - Roller Mat
R106-8459	Rubber Strap
R150317	Latch Assy

## O.J. Company

294 Rang St-Paul Sherrington, J0L 2N0  
450-247-2758

<https://ojcompagnie.rrproducts.com/>



# Frame Assy - Black

R04238B



R150318	Hardware - Misc
R150324	Plate - Trailer
R217-60	Wheel - with Valve Stem - White
R297-1	Screw - Button HD Socket 3/4
R301504	Locknut - ESNA 1/4-20
R316797	Bolt - 1/4-20 x 1-1/4
R32128-32	Locknut - 1/4-20 Flanged
R323-15	Bolt - Hex HD 3/8-16 x 3-1/2 GR5
R3231-2	Bolt - Carriage 3/8-16 x 1
R3256-22	Washer - Flat 1/4 Yellow
R453011	Washer - Flat 3/8 SAE Y/Zinc
R98-8690	Hub Assy - Trailer
RCT5111011	Tire - 20x10.00-8 Nhs (2 Ply) Carlisle Turf Saver
RQC1020B	Handle - Upper - Trailer - Blk
RQC1021B	Tongue Support - Trailer - Blk

## O.J. Company

294 Rang St-Paul Sherrington, J0L 2N0  
450-247-2758

<https://ojcompagnie.rrproducts.com/>