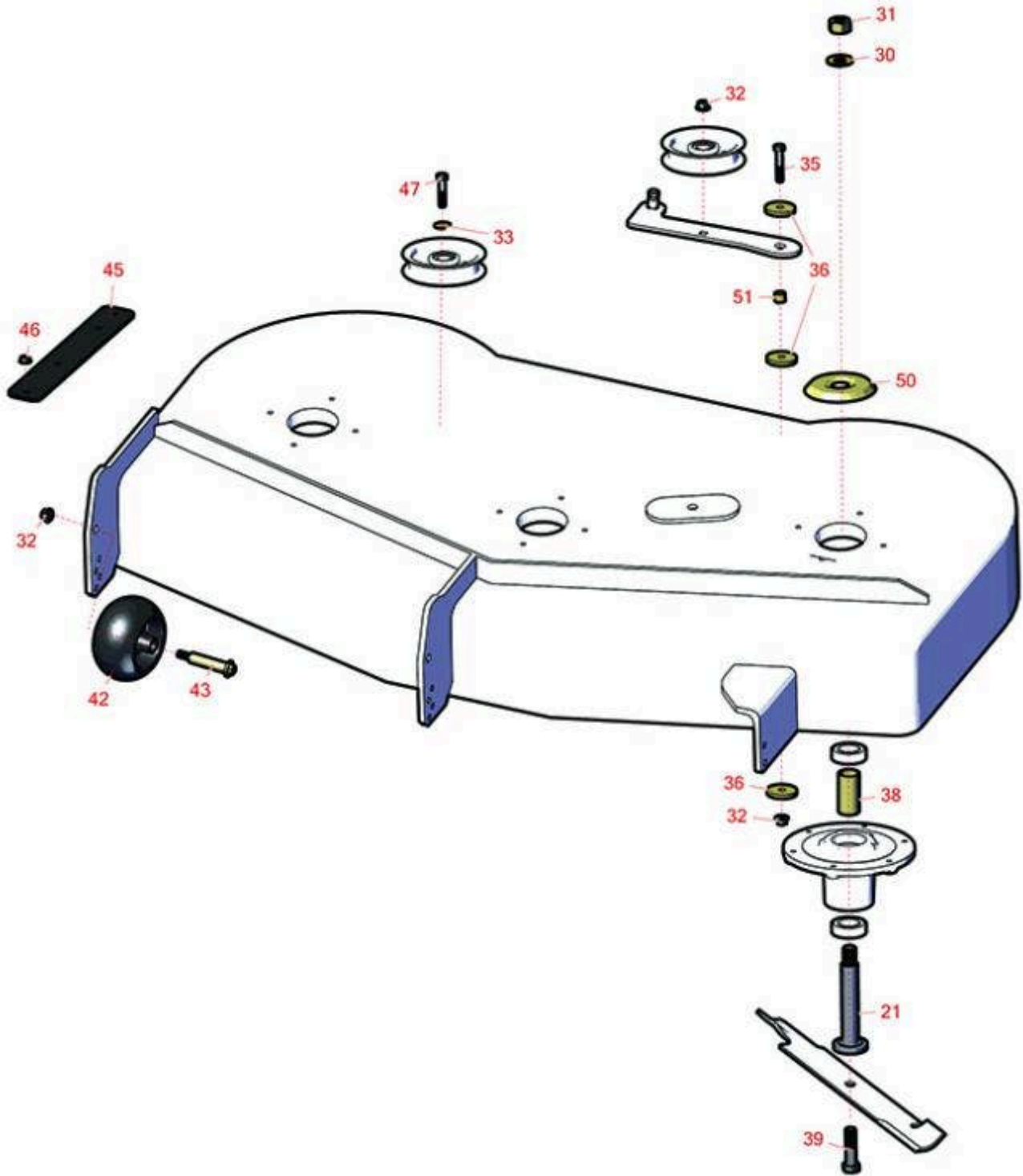




Replaces Toro Titan ZX 4800 Parts

Zero Turn Mower with 48in Deck - Model 74830

Deck Parts



All original equipment manufacturers names and part numbers are used for identification purposes only, and we are in no way implying that our products are original equipment parts. Prices subject to change without notice.



Replaces Toro Titan ZX 4800 Parts

Zero Turn Mower with 48in Deck - Model 74830

Deck Parts



| Item No | R&R Part No. | OEM Part No. | Description | Qty Req | Order Quantity |
|------------------------------|---------------------|---|--------------------------------|---------|----------------|
| Spindles | | | | | |
| 21 | R115-2642 | 115-2642 | Shaft- Spindle | 3 | |
| Other Parts Available | | | | | |
| 30 | R7-4150 | 7-4150 | Washer | 3 | |
| 31 | R3219-7 | 01-158-0600, 01-188-1216, 215-46, 22-18-BJC, 3219-7 | Nut- 3/4-16 GR8 Hex | 3 | |
| 32 | R104-8301 | 104-8301, 104-9301, 109-6658, 133-7570 | Locknut - 3/8-16 Nylon Flanged | 6 | |
| 33 | R80-6990 | 104-1050, 80-6990 | Washer - Hardened | 3 | |
| 35 | R323-10 | 01-150-0680, 01-178-0616, 100-6663, 100-8320, 1489, 20-51-AD, 20-51-AGD, 3224-6, 323-10, 323-35, 908336 | Bolt - Hex HD 3/8-16 x 2 | 1 | |
| 36 | R110-9981 | 110-9981 | Washer-Plain | 3 | |
| 38 | R115-2641 | 115-2641 | Spacer- Bearing | 1 | |
| 39 | R51-4060 | 51-4060 | Bolt - Blade | 1 | |
| 42 | R68-2730 | 1-603299, 68-2730 | Wheel - Anti Scalp | 3 | |
| 43 | R112-3977 | 112-3977 | Bolt- Shoulder | 3 | |
| 45 | R115-5048-03 | 115-5048-03 | Plate - Deflector | 1 | |

All original equipment manufacturers names and part numbers are used for identification purposes only, and we are in no way implying that our products are original equipment parts. Prices subject to change without notice.



Replaces Toro Titan ZX 4800 Parts

Zero Turn Mower with 48in Deck - Model 74830

Deck Parts



| Item No | R&R Part No. | OEM Part No. | Description | Qty Req | Order Quantity |
|---------|------------------|---|----------------------------------|---------|----------------|
| 46 | R104-8300 | 104-8300, 104-8300 , 119-4041 | Locknut - 5/16-18 Flanged Y/Zinc | 7 | |
| 47 | R323-9 | 01-150-0190, 01-150-1540, 01-178-0614, 107229, 20-50-AD, 20-50-AGD, 30-9430, 32105-4, 3224-5, 323-9, 513363, 513364, 5377, 908037P | Bolt - Hex HD 3/8-16 x 1-3/4 | 3 | |
| 50 | R117-7210 | 117-7210 | Shield - Bearing | 1 | |
| 51 | R1-413088 | 1-413088 | Bushing - Lift Lever | 1 | |

All original equipment manufacturers names and part numbers are used for identification purposes only, and we are in no way implying that our products are original equipment parts. Prices subject to change without notice.