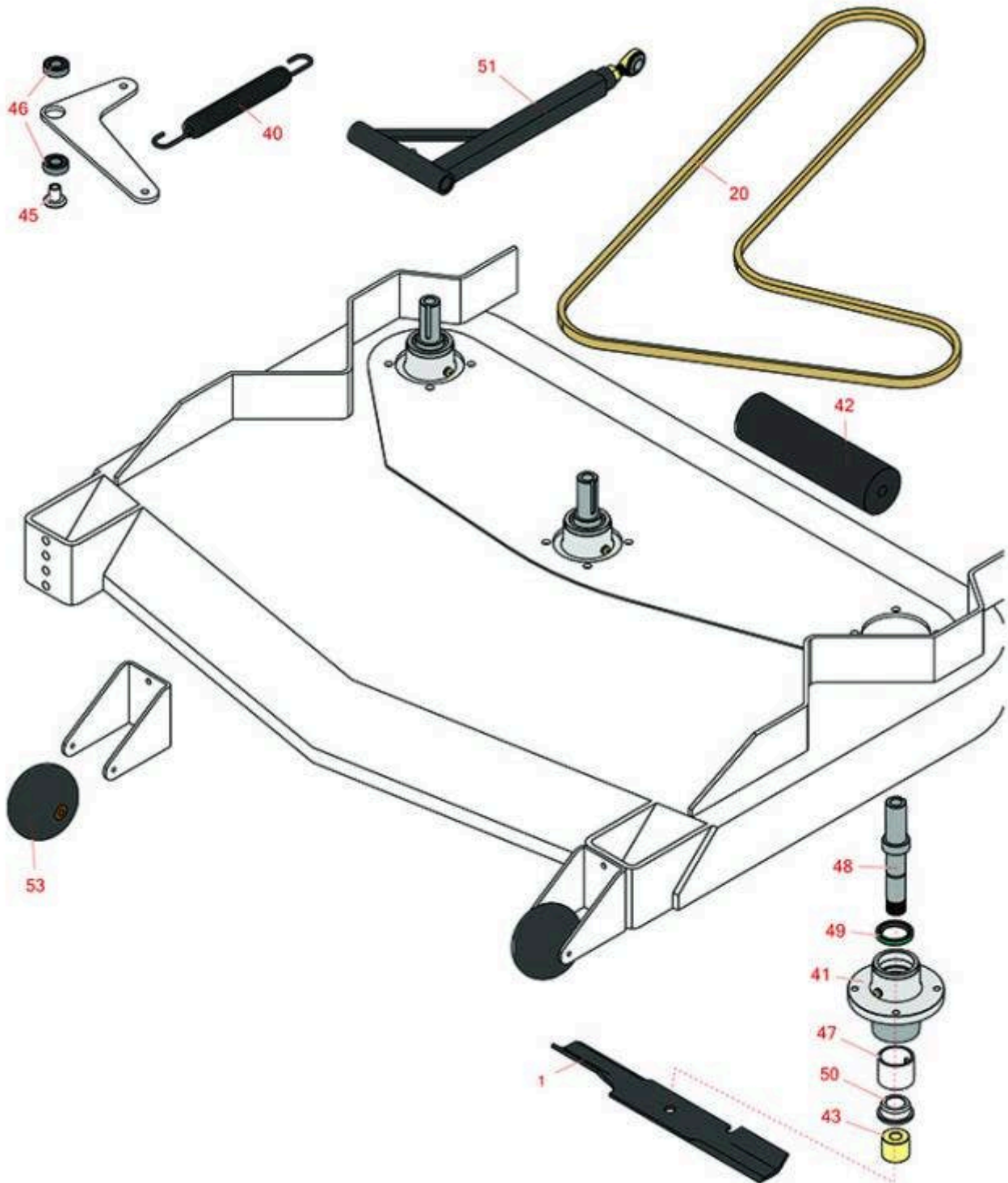




Replaces Scag STCII - Tiger Cat II Parts

48in Zero-Turn Mower

48in Deck



All original equipment manufacturers names and part numbers are used for identification purposes only, and we are in no way implying that our products are original equipment parts. Prices subject to change without notice.



Replaces Scag STCII - Tiger Cat II Parts

48in Zero-Turn Mower

48in Deck



Item No	R&R Part No.	OEM Part No.	Description	Qty Req	Order Quantity
Blades					
1	RRB3155-1602	482877	Mower Blade - High-Lift 16.5 x 2.5in x 5/8 Mt Hole	3	
Belts					
20	RZS486283	486283	Belt - Cutter Deck Drive (48V)	1	
Other Parts Available					
40	RZS483247	483247	Spring - RH Deck	1	
41	RZS43644	43644	Spindle Housing	3	
42	RZS48038	48038	Guide Roller	1	
43	RZS43590	43590	Spacer - Spindle Bottom	3	
45	RZS43689	43689	Pivot - Idler	1	
46	RZS48224	48224	Bearing	2	
47	RZS43312	43312	Spacer - Outside	3	
48	RZS43589	43589	Spindle Shaft	3	
49	R366649	481024	Seal	3	
50	RZS43297	43297	Spindle Bushing	3	
51	RZS461516	461516	Push Arm Assembly LH & RH	2	
53	RZS481632	481632	Wheel - Anti Scalp	2	

All original equipment manufacturers names and part numbers are used for identification purposes only, and we are in no way implying that our products are original equipment parts. Prices subject to change without notice.