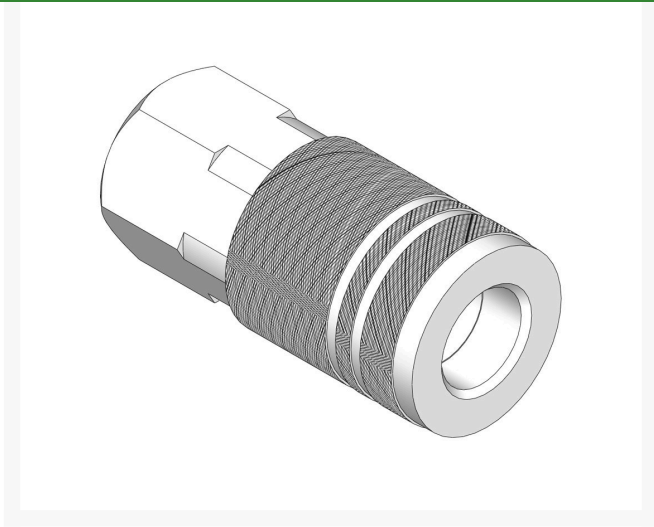




## Coupler - 1/4 Nptf R5521



### Details

Plated steel couplers with hardened steel balls & stainless steel springs or brass fittings that offer corrosion resistance, ductility at high temperatures, and low magnetic permeability. Maximum working pressure 300 PSI.

### Specifications

Manufacturer

R&R Products

### O.J. Company

294 Rang St-Paul Sherrington, J0L 2N0  
450-247-2758

<https://ojcompagnie.rrproducts.com/>